

8 Parts and diagrams

Chapter contents

- [Ordering parts and supplies](#)
- [Consumables and accessories](#)
- [Covers](#)
- [Internal components](#)
- [Accessories](#)
- [Alphabetical parts list](#)
- [Numerical parts list](#)

Ordering parts and supplies

This section contains information about how to order parts and supplies for this device.

Parts

This chapter contains field replaceable unit (FRU) and accessory part numbers. Replacement parts can be ordered from the HP Services. Go to <http://www.hp.com/go/parts/> for information about ordering service parts in your area. Go to <http://www.hp.com/go/partsinfo/> for the online HP service parts identification tool (HP PartSurfer).



CAUTION Use only the parts and accessories that have been specifically designed for this printer. Order accessories from an authorized HP service or support provider, or online at <http://www.hp.com>.



NOTE Parts that have no item number or part number listed are not field replacement parts and cannot be ordered.

Related documentation and software

Order documentation and software from the companies that are listed in the following table; some documentation and software is available at the following Web sites.

Table 8-1 Technical support Web sites

HP Channel Services Network (CSN) (for HP partners)	http://www.hp.com/partners/csn HP CSN is an Internet site that is created exclusively for our partners. You can easily find all the HP information that you need for your daily business. And you can get it earlier than from any other site.
HP Customer Care Online Software drivers, support documentation, and answers to frequently asked questions	http://www.hp.com/support Select your country/region in the Select a country or region field located on the Web page. Select the support block.
HP Technical Training Classes and schedules	USA: http://www.hp.com/go/onlinelearning Canada: http://www.canada.hp.com Asia: http://partnercare.asiapac.hp.com Latin America: http://www.conecta.latinamerica.hp.com
Parts Parts information	http://www.hp.com/go/parts/ http://www.hp.com/go/partners/csn http://www.partsurfer.hp.com
Supplies/paper Ordering information for supplies and media	USA: http://www.hp.com/go/ordersupplies-na Canada: http://www.hp.ca/catalog/supplies Europe: http://www.hp.com/go/supplies Asia Pacific: http://www.hp.com/paper

HP provides free telephone support during the product warranty period. When you call, you will be connected to a responsive team waiting to help you. For the number you should call in your country/region, see the support sheet that came in the box with your printer. Before calling have the following information available:

- Product name (for example, HP LaserJet 4350dtns printer)
- Product serial number (found on the underside of the cartridge door)
- The date of printer purchase and a description of the problem

Test the software installation. Attempt to print a test page from the software program. Try reinstalling the software. If reinstalling the software does not correct the problem, see the Readme file on the CD that came with the printer, or call the phone number for the country/region (phone numbers are listed on the support sheet that came in the box with the printer). You can also find answers to frequently asked questions at the following Web sites:

- <http://www.hp.com/support/lj4200>
- <http://www.hp.com/support/lj4250>
- <http://www.hp.com/support/lj4300>
- <http://www.hp.com/support/lj4350>

HP-authorized resellers and support

To locate HP-authorized resellers and support, call 800-243-9816 in the U.S. or 800-387-3867 in Canada.

HP service agreements

For information about HP service agreements, call 800-386-1115 in the U.S. or 800-268-1221 in Canada.

HP Partner Portal

You can use the following information to contact HP Partner Portal:

- For Partner Portal, <http://www.hp.com/partners>
- For Connect Online, <http://www.connect-online.hp.com>
- For Asia Pacific countries/regions, <http://partnercare.asiapac.hp.com>
- For Canada Partner, <http://www.canada.hp.com>
- For Latin America, <http://www.conecta.latinamerica.hp.com>

Supplies

See [Ordering parts and supplies](#). Consumables are available directly from HP at the following numbers:

- US: 1-800-HPINVENT
- Canada: 1-800-474-6836
- United Kingdom: 0734-441212
- Germany: 0130-3322

Contact your local HP Parts Coordinator for other local phone numbers.

Consumables and accessories

Consumables

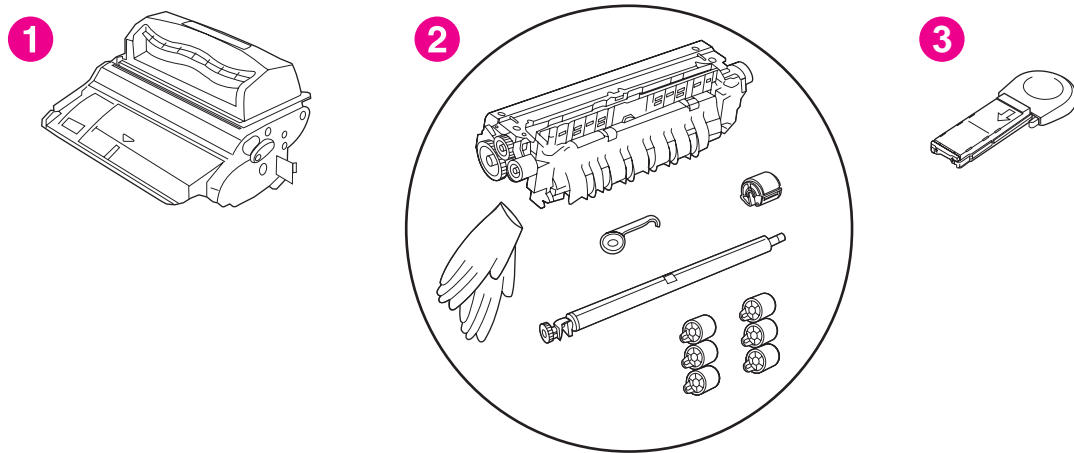


Figure 8-1 Consumables

Table 8-2 Consumables

Ref	Item	Product number	Service/exchange number
1	10,000-page print cartridge, LJ 4250/4350 printers	Q5942A	Q5942-67901
1	12,000-page print cartridge, LJ 4200/4200L printers	Q1338A	Q1338-67901
1	18,000-page print cartridge, LJ 4300 printers	Q1339A	Q1339-67901
1	20,000-page cartridge, LJ 4250/4350 printers	Q5942X	Q5492-67902
2	Preventive maintenance kit, LJ 4200/4200L printers, 110-127 V	Q2429A	Q2429-67904
2	Preventive maintenance kit, LJ 4200/4200L printers, 220-240 V	Q2430A	Q2430-67904
2	Preventive maintenance kit, LJ 4250/4350 printers, 110-127 V	Q5421A	Q5421-67901
2	Preventive maintenance kit, LJ 4250/4350 printers, 220-240 V	Q5422A	Q5422-67901
2	Preventive maintenance kit, LJ 4300 printers, 110-127 V	Q2436A	Q2436-67905
2	Preventive maintenance kit, LJ 4300 printers, 220-240 V	Q2437A	Q2437-67905
3	1,000-staple cartridge (3-pack)	Q3216A	Q3216-60500

Accessories

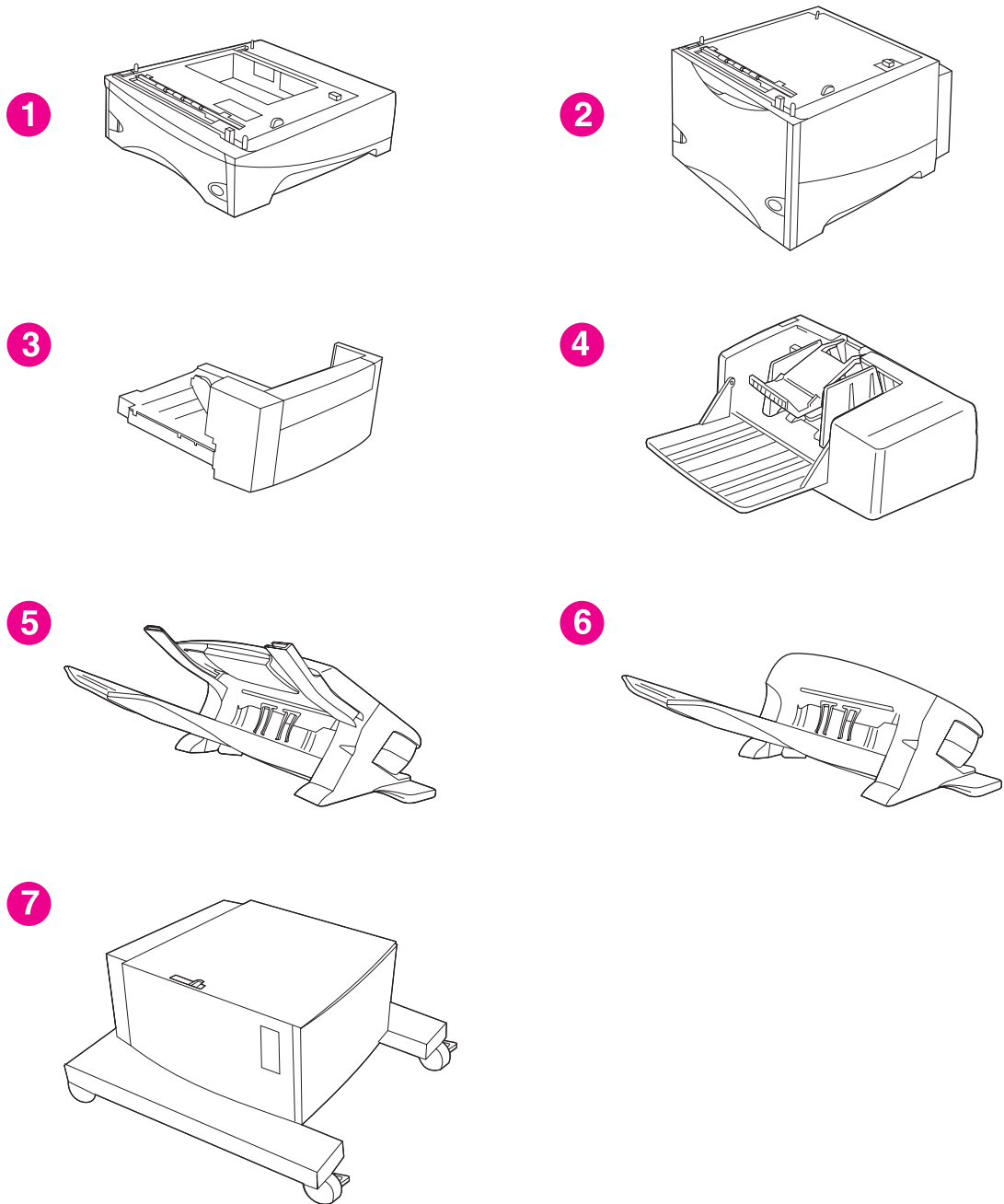


Figure 8-2 Accessories

Table 8-3 Accessories

Ref	Accessory	Product number	Service/exchange number
1	500-sheet tray and feeder	Q2240B	Q2440-67903
2	1,500-sheet tray and feeder	Q2444B	Q2444-67902
3	Duplexer	Q2439B	Q2439-67902
4	75-sheet envelope feeder	Q2438B	Q2438-67902
5	500-sheet stapler/stacker	Q2443B	Q2443-67908
6	500-sheet stacker	Q2442B	Q2442-67902
7	Printer stand	Q2445B	Q2445-60102

Memory, fonts, and mass storage

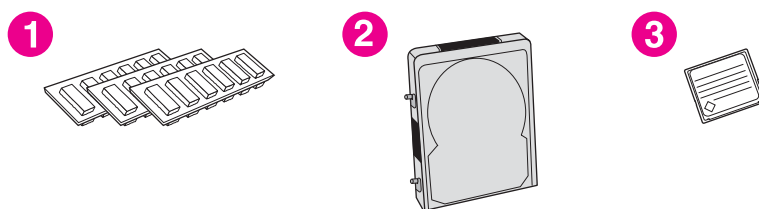


Figure 8-3 Memory, fonts, and mass storage

Table 8-4 Memory, fonts, and mass storage

Ref	Item	Product number	Service/exchange number
1	Firmware DIMM (LJ 4200, base model)		Q2453-67925
1	Firmware DIMM (LJ 4200, all models except for base model)		Q2453-67906
1	Firmware DIMM (LJ 4200L)		Q2453-67932
1	Firmware DIMM (LJ 4300)		Q2453-67915
1	SDRAM DIMM, 8 MB (LJ 4200/4300)		C7842-67901
1	SDRAM DIMM, 16 MB (LJ 4200/4300)		C7843-67901
1	SDRAM DIMM, 32 MB (LJ 4200/4300)		C7845-67901
1	SDRAM DIMM, 64 MB (LJ 4200/4300)		Q1887-67901
1	SDRAM DIMM, 128 MB (LJ 4200/4300)		C9121-67901
1	100-pin DDR DIMM, 48 MB (LJ 4250/4350)		Q6007-67951
1	100-pin DDR DIMM, 64 MB (LJ 4250/4350)		Q2625-67951
1	100-pin DDR DIMM, 80 MB (LJ 4250/4350)		Q6008-67951
1	100-pin DDR DIMM, 96 MB (LJ 4250/4350)		Q6009-67951
1	100-pin DDR DIMM, 128 MB (LJ 4250/4350)	Q2626A	Q2626-67951
1	100-pin DDR DIMM, 256 MB (LJ 4250/4350)	Q2627A	Q2627-67951
1	100-pin DDR DIMM, 512 MB (LJ 4250/4350)	Q2628A	Q2628-67951
1	Font DIMM, Korean language (LJ 4200/4300)	D4838A	
1	Font DIMM, Simplified Chinese language (LJ 4200/4300)	C4293A	
1	Font DIMM, Traditional Chinese language (LJ 4200/4300)	C4292A	
2	EIO hard disk, 20 GB		J6073-61001 J6073-69001

Table 8-4 Memory, fonts, and mass storage (continued)

Ref	Item	Product number	Service/exchange number
3	Flash DIMM, 8 MB (LJ 4200/4300)	C8530A	
3	Flash DIMM, 12 MB (LJ 4200/4300)	C7867A	

Cables and connectivity

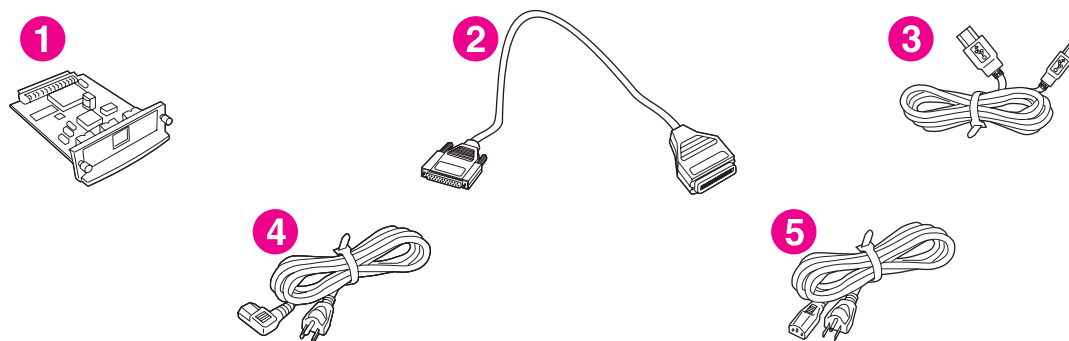


Figure 8-4 Cables and connectivity

Table 8-5 Cables and connectivity

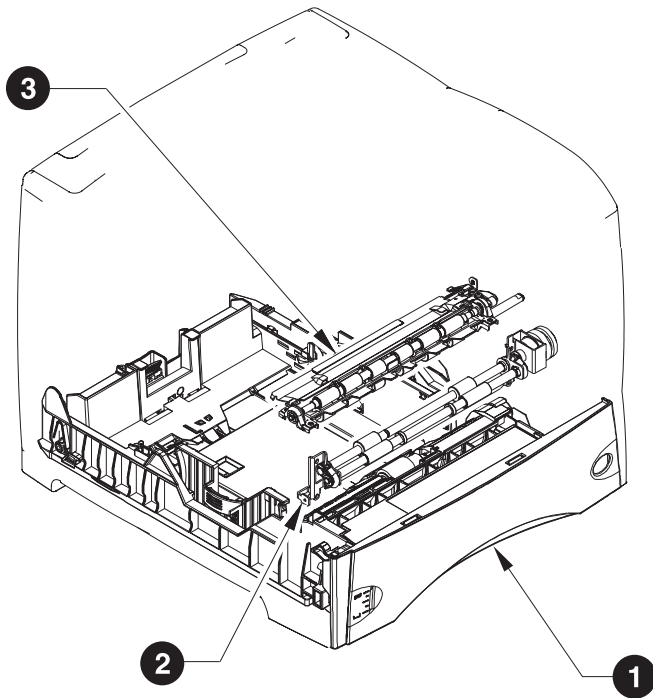
Ref	Item	Product number	Service/exchange number
1	HP Jetdirect 615n Fast Ethernet internal print server (for HP LaserJet 4200/4300 printers only)	J6057A	J6057-69001
1	HP Jetdirect 620n Fast Ethernet internal print server for HP LaserJet 4250/4350 printers	J7934A	J7934-61001/J7934-69001
1	HP Jetdirect 625n Gigabit internal print server for HP LaserJet 4250/4350 printers	J7960A	J7960-61001
1	HP Jetdirect 680n 802.11b wireless Ethernet internal print server for HP LaserJet 4250/4350 printers	J6058A	J6058-61201
1	HP bt1300 Bluetooth wireless printer adapter	J6072A	J6072-61001/J6072-69001
	Connectivity card for USB, serial, and Local Talk	J4135A	J4135-61001
2	IEEE_1284 parallel cable, 2-meter (6.6 feet)	C2950A	5063-1256
2	IEEE_1284 parallel cable, 3-meter (9.9 feet)	C2951A	5063-1257
3	USB cable, 2-meter (6.6 feet)	C6518A	
4	Power cord, 2-meter (6.6 feet), with 90-degree C13 receptacle (For 120 Vac in the United States, Canada, Latin America, Korea, Taiwan, and Thailand)		8120-5301
5	Power cord, 2-meter (6.6 feet), with straight C13 receptacle (For 120 Vac in the United States, Canada, Latin America, Korea, Taiwan, and Thailand)		8121-0740

Formatters, laser/scanners, power supplies, and fusers

Table 8-6 Formatters, laser/scanners, power supplies, and fusers

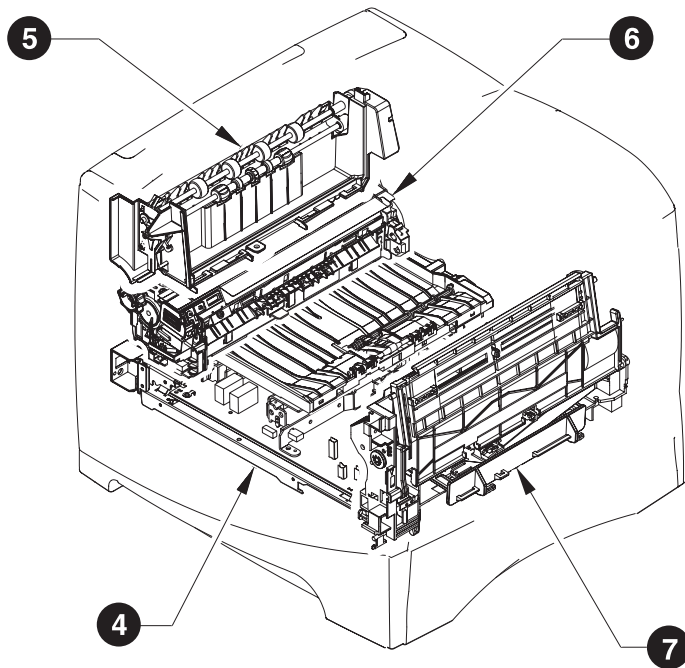
Item	Product number	Service/exchange number
Formatters		
Formatter, LJ 4200	Q9652A	C9652-67902/C9652-69001
Formatter, LJ 4200L		C9652-67903/C9652-69003
Formatter, LJ 4300	Q9651A	C9651-67901/C9651-69001
Formatter, LJ 4250/4350 (base models)	Q3653A	Q3653-67901/Q3653-69001
Formatter, LJ 4250/4350 (network models)	Q3652A	Q3652-67901/Q3652-69001
Laser/scanners		
Laser/scanner, LJ 4200		RM1-0045-000CN
Laser/scanner, LJ 4250/4350		RM1-1067-000CN
Laser/scanner, LJ 4300		RM1-0113-000CN
Power-supply assemblies		
Power-supply assembly, LJ 4200, 110-127 V		RM1-0019-050CN
Power-supply assembly, LJ 4300, 110-127 V		RM1-0107-000CN
Power-supply assembly, LJ 4250/4350, 110-127 V		RM1-1070-000CN
Power-supply assembly, LJ 4200, 220-240 V		RM1-0020-000CN
Power-supply assembly, LJ 4300, 220-240 V		RM1-0108-000CN
Power-supply assembly, LJ 4250/4350, 220-240 V		RM1-1071-000CN
Fusers		
Fuser, LJ 4200, 110 V		RM1-0013-140CN
Fuser, LJ 4300, 110 V		RM1-0101-200CN
Fuser, LJ 4250/4350, 110 V		RM1-1082-000CN
Fuser, LJ 4200, 220 V		RM1-0014-140CN
Fuser, LJ 4300, 220 V		RM1-0102-200CN
Fuser, LJ 4250/4350, 220 V		RM1-1083-000CN

Assembly locations (1 of 3)



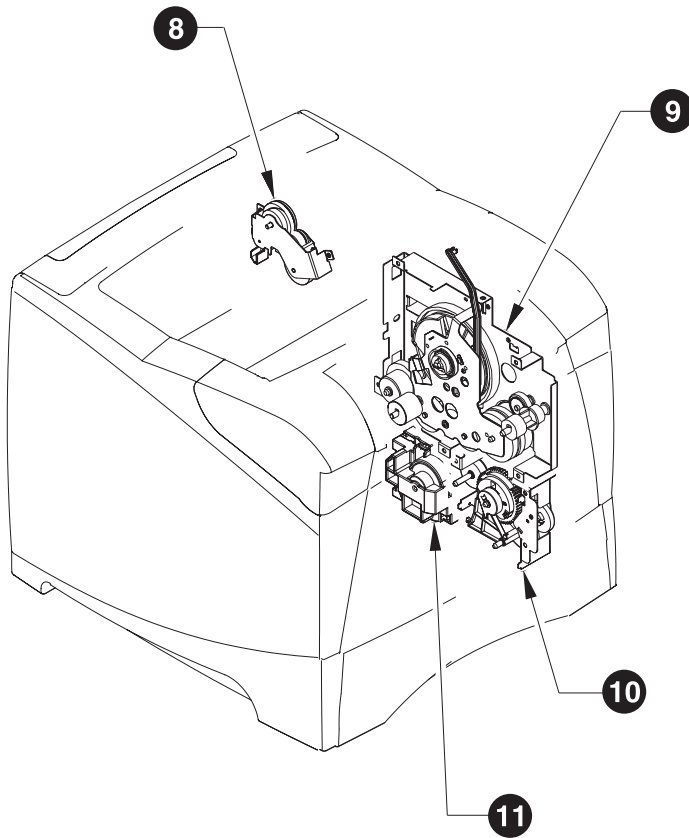
Ref.	Description	Details
1	500-sheet universal replacement tray	See Figure 8-14 500-sheet feeder (1 of 2) .
2	Feed roller assembly	See Figure 8-11 Feed roller assembly .
3	Registration assembly	See Figure 8-6 Internal components (1 of 3) .

Assembly locations (2 of 3)



Ref.	Description	Details
4	Power-supply assembly	See Figure 8-9 Electrical components .
5	Delivery assembly	See Figure 8-8 Internal components (3 of 3) .
6	Fuser assembly	See Figure 8-8 Internal components (3 of 3) .
7	Tray 1 pickup assembly	See Figure 8-12 Tray 1 pickup assembly .

Assembly locations (3 of 3)



Ref.	Description	Details
8	Duplexing-pendulum assembly	See Figure 8-8 Internal components (3 of 3) .
9	Main-drive assembly	See Figure 8-10 Main drive assembly
10	Paper-pickup-drive assembly	See Figure 8-7 Internal components (2 of 3) .
11	Lifter-drive assembly	See Figure 8-8 Internal components (3 of 3) .

Covers

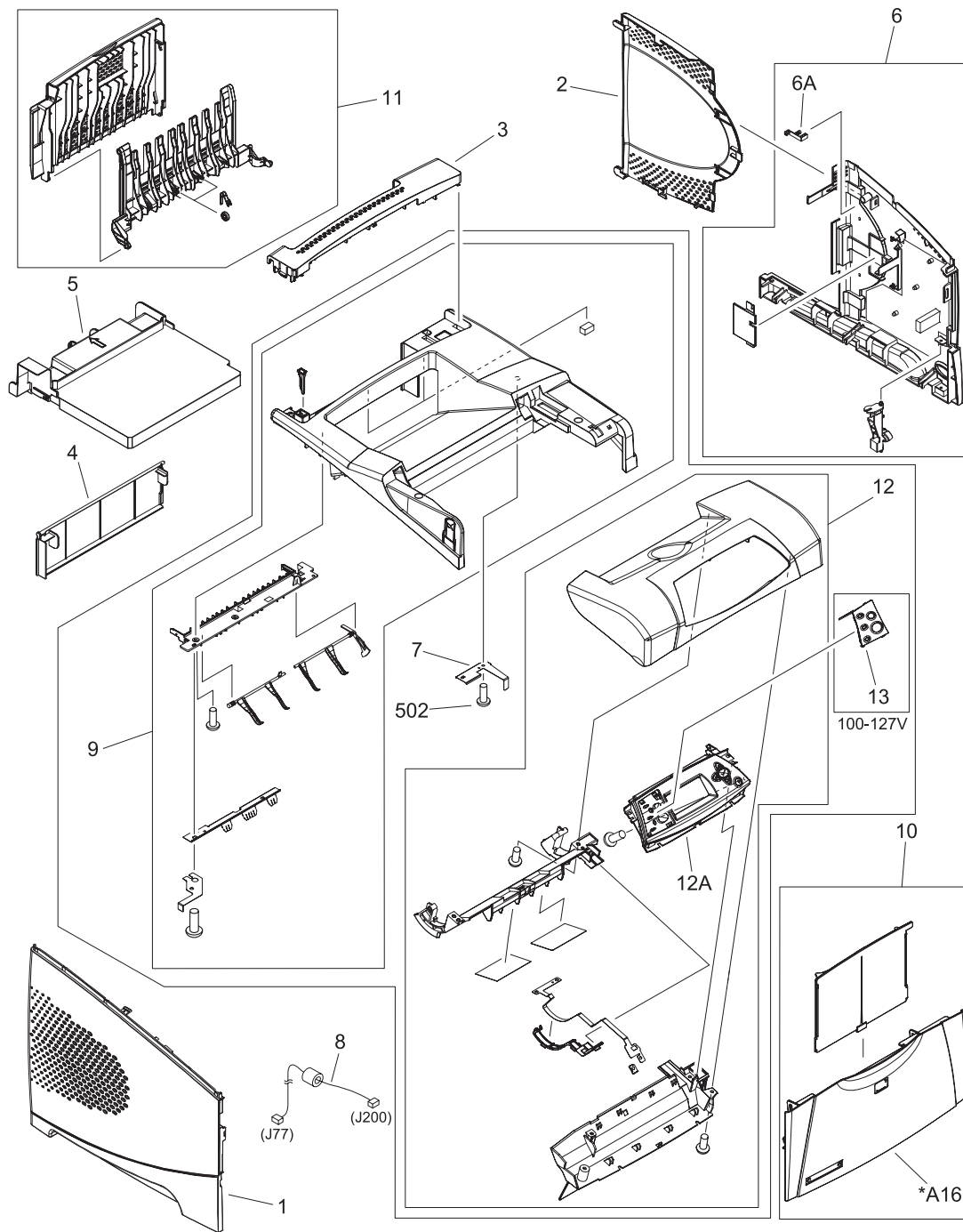


Figure 8-5 Covers

Table 8-7 Covers

Ref	Description	Part number	Qty
1	Cover, left (LJ 4200/4300)	RC1-0287-020CN	1
1	Cover, left (LJ 4250/4350)	RM1-1077-000CN	1
2	Cover, formatter	RC1-0288-000CN	1
3	Cover, paper-handling	RC1-0289-000CN	1
4	Cover, legal (LJ 4200/4300)	RC1-0290-000CN	1
4	Cover, legal (LJ 4250/4350)	RC1-3282-000CN	1
5	Cover, duplexing (LJ 4200/4300)	RC1-0291-000CN	1
5	Cover, duplexing (LJ 4250/4350)	RC1-3280-000CN	1
6	Cover assembly, right (LJ 4200/4300)	RM1-0046-000CN	1
6	Cover assembly, right (LJ 4250/4350)	RM1-1076-000CN	1
7	Spring, leaf grounding, top Cover (LJ 4250/4350 only)	RC1-0307-000CN	1
8	Cable, control panel (LJ 4200/4300)	RG1-4215-000CN	1
8	Cable, control panel (LJ 4250/4350)	RM1-1190-000CN	1
9	Cover assembly, top(LJ 4200/4300)	RM1-0049-000CN	1
9	Cover assembly, top (LJ 4250/4350)	RM1-1081-000CN	1
10	Cover assembly, front	RM1-0050-030CN	1
11	Cover, rear output bin	RM1-0027-020CN	1
12	Cover, cartridge door (LJ 4200)	RM1-0047-020CN	1
12	Cover, cartridge door (LJ 4300)	RM1-0114-020CN	1
12	Cover, cartridge door (LJ 4250/4350)	RM1-1080-000CN	1
12A	Control-panel assembly (LJ 4200/4300)	RG1-4276-020CN	1
12A	Control-panel assembly (LJ 4250/4350)	RM1-1195-000CN	1
13	Overlay, control panel, Turkish (LJ 4200/4300)	Q2431-40021	1
13	Overlay, control panel, Hebrew (LJ 4200/4300)	Q2431-40022	1
13	Overlay, control panel, Greek (LJ 4200/4300)	Q2431-40023	1
13	Overlay, control panel, EN/FR/DE/IT (LJ 4200/4300)	Q2431-60107	1
13	Overlay, control panel, EN/CS/HU/PL (LJ 4200/4300)	Q2431-60108	1
13	Overlay, control panel, NO/SW/FI (LJ 4200/4300)	Q2431-60109	1
13	Overlay, control panel, IT/ES/PT/SP (LJ 4200/4300)	Q2431-60110	1
13	Overlay, control panel, EN/RU (LJ 4200/4300)	Q2431-60111	1
13	Overlay, control panel, EN/AR (LJ 4200/4300)	Q2431-60112	1
13	Overlay, control panel, EN/FR/DE/NL (LJ 4200/4300)	Q2431-60113	1
13	Overlay, control panel, EN (LJ 4250/4350)	RC1-3356-000CN	1
13	Overlay, control panel, EN/FR/DE/IT (LJ 4250/4350)	Q5400-60102	1

Ref	Description	Part number	Qty
13	Overlay, control panel, CS/HU/PL/EL (LJ 4250/4350)	Q5400-60103	1
13	Overlay, control panel, NO/SV/FI (LJ 4250/4350)	Q5400-60104	1
13	Overlay, control panel, ES/PT/IT (LJ 4250/4350)	Q5400-60105	1
13	Overlay, control panel, EN/RU/TR (LJ 4250/4350)	Q5400-60106	1
13	Overlay, control panel, EN/AR (LJ 4250/4350)	Q5400-60107	1
13	Overlay, control panel, EN/DE/FR/NL (LJ 4250/4350)	Q5400-60108	1
13	Overlay, control panel, FR (LJ 4250/4350)	Q5400-60109	1
13	Overlay, control panel, AR (LJ 4250/4350)	Q5400-60111	1
(not shown)	Name plate kit, LJ 4200	Q2425-67901	1
(not shown)	Name plate kit, LJ 4300	Q2431-67908	1
(not shown)	Name plate kit, LJ 4200L	Q3993-40001	1
(not shown)	Name plate kit, LJ 4200Ln	Q3994-40004	1
(not shown)	Name plate kit, LJ 4250	Q5400-67911	1
(not shown)	Name plate kit, LJ 4350	Q5406-67912	1
502	Screw, tapping, pan head, m4x10	XB4-7401-007CN	n

Internal components

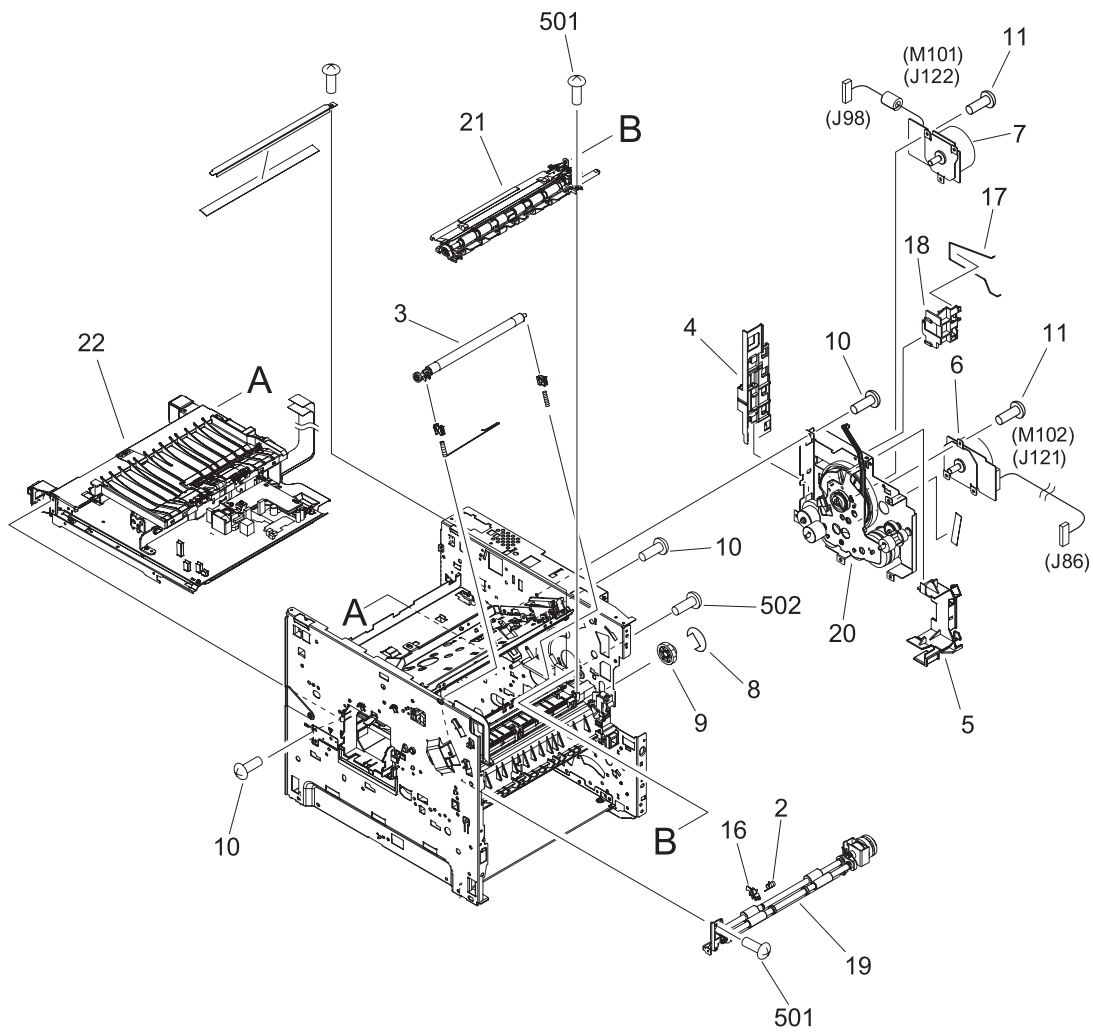


Figure 8-6 Internal components (1 of 3)

Table 8-8 Internal components (1 of 3)

Ref	Description	Part number	Qty
2	Spring, torsion	RC1-0061-000CN	1
3	Transfer roller, LJ 4200/4300	RM1-0699-020CN	1
3	Transfer roller, LJ 4250/4350	RM1-1110-000CN	1
4	Guide, flat cable	RC1-0269-020CN	1
5	Guide, flat cable	RC1-0270-020CN	1
6	Motor, print cartridge (M102), 8-pin (LJ 4250/4350)	RK2-0274-000CN	1
6	Motor, print cartridge (M102), 8-pin (LJ 4300)	RH7-1576-020CN	1
7	Motor, main (M101), 10-pin (LJ4200/4300)	RH7-1570-000CN	1
7	Motor, main (M101), 10-pin (LJ4250/4350)	RK2-0272-000CN	1
8	E-ring	XD9-0232-000CN	1
9	Gear, 14t/30t	RU5-0015-000CN	1
10	Screw, s, m3x8	XA9-1500-000CN	17
11	Screw, tapping, m3x6	XA9-1503-000CN	6
16	Flag, paper feed sensor	RC1-0060-000CN	1
17	Rod, fan 2 (LJ 4300)	RC1-0341-000CN	1
17	Rod, fan 2 (LJ 4250/4350)	RC1-3339-000CN	1
18	Guide, dc controller (LJ 4200/4300)	RC1-0271-000CN	1
18	Guide, dc controller (LJ 4250/4350)	RC1-3340-000CN	1
19	Feed roller assembly (also see Figure 8-11 Feed roller assembly)	RM1-0012-020CN	1
20	Main drive assembly (LJ 4200/4300) (also see Figure 8-10 Main drive assembly)	RM1-0001-030CN	1
20	Main drive assembly (LJ 4250/4350) (also see Figure 8-10 Main drive assembly)	RM1-1066-000CN	1
21	Registration assembly	RM1-0011-060CN	1
22	Power-supply assembly, 110-127 V (LJ 4200) (also see Figure 8-9 Electrical components)	RM1-0019-050CN	1
22	Power-supply assembly, 220-240 V (LJ 4200) (also see Figure 8-9 Electrical components)	RM1-0020-000CN	1
22	Power-supply assembly, 110-127 V (LJ 4250/4350) (also see Figure 8-9 Electrical components)	RM1-1070-000CN	1
22	Power-supply assembly, 220-240 V (LJ 4250/4350) (also see Figure 8-9 Electrical components)	RM1-1071-000CN	1
22	Power-supply assembly, 110-127 V (LJ 4300) (also see Figure 8-9 Electrical components)	RM1-0107-000CN	1
22	Power-supply assembly, 220-240 V (LJ 4300) (also see Figure 8-9 Electrical components)	RM1-0108-000CN	1

Ref	Description	Part number	Qty
501	Screw, tapping, pan head, m4x10	XB4-7401-007CN	14
502	Screw, w/washer, m3x6	XB2-7300-607CN	2

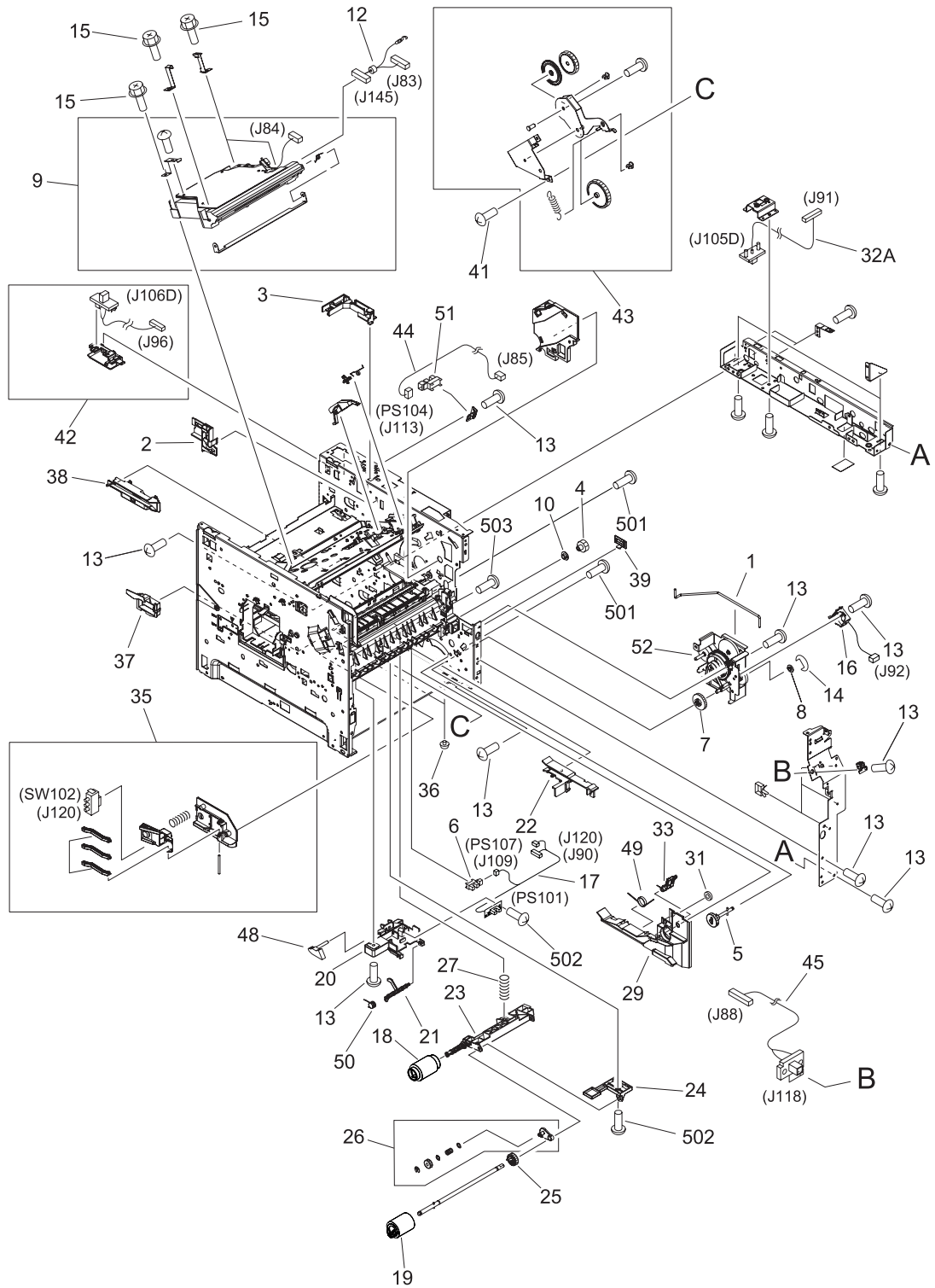


Figure 8-7 Internal components (2 of 3)

Table 8-9 Internal components (2 of 3)

Ref	Description	Part number	Qty
1	Rod, switch	RC1-0268-000CN	1
2	Guide, scanner cable	RC1-0340-020CN	1
3	Guide, scanner cable	RC1-0385-000CN	1
4	Gear, 18t	RU5-0045-020CN	1
5	Shaft, retard drive	RL1-0264-000CN	1
6	Sensor, top-bin-full/stack (PS 104/PS 107), LJ 4200/4300	WG8-5362-000CN	1
6	Sensor, stack (PS 107), LJ 4250/4350	WG8-5624-000CN	1
7	Gear, 23t	RU5-0040-000CN	1
8	Bushing	RC1-0206-000CN	1
9	Laser/scanner assembly (LJ 4200)	RM1-0045-000CN	1
9	Laser/scanner assembly (LJ 4250/4350)	RM1-1067-000CN	1
9	Laser/scanner assembly (LJ 4300)	RM1-0113-000CN	1
10	Bushing, feed shaft	RC1-0264-000CN	1
12	Cable, laser (LJ 4200/4300)	RG1-4212-000CN	1
12	Cable, laser (LJ 4250/4350)	RM1-1198-000CN	1
13	Screw, s, m3x8	XA9-1500-000CN	20
14	E-ring	XD9-0232-000CN	1
15	Screw, rs, m3x10	XA9-1559-000CN	6
16	Solenoid, tray 2 pickup (LJ 4200/4300)	RH7-5355-000CN	1
16	Solenoid, tray 2 pickup (LJ 4250/4350)	RK2-0269-000CN	1
17	Pickup-sensor cable assembly (LJ4200/4300)	RG1-4221-000CN	1
17	Pickup-sensor cable assembly (LJ4250/4350)	RM1-1181-000CN	1
18	Roller, paper-pickup	RM1-0036-000CN	1
19	Roller, paper-feed	RM1-0037-020CN	1
20	Holder, paper sensing	RC1-0208-030CN	1
21	Flag, paper sensing	RC1-0209-000CN	1
22	Guide, power-supply, front	RC1-0243-000CN	1
23	Arm, paper pickup (LJ 4200/4300)	RC1-0211-000CN	1
23	Arm, paper pickup (LJ 4250/4350)	RC1-3352-000CN	1
24	Holder, paper pickup arm	RC1-0212-000CN	1
25	Gear, 23t	RC1-0371-000CN	1
26	Plate, swing	RL1-0013-000CN	1
27	Spring, compression	RC1-0213-000CN	1
29	Guide, tray 2	RC1-0153-030CN	1

Ref	Description	Part number	Qty
31	Sheet, solenoid damper	RC1-0330-020CN	1
32A	Cable, feeder connector (LJ 4200/4300)	RG1-4223-000CN	1
32A	Cable, feeder connector (LJ 4250/4350)	RM1-1192-000CN	1
33	Kicker assembly	RL1-0015-000CN	1
35	Size-sensing assembly, tray 2	RM1-0041-020CN	1
36	Foot	RB1-8107-000CN	2
37	Guard, right-edge	RC1-0242-000CN	1
38	Guide, ECU, rear	RC1-0244-000CN	1
39	Guard, left-edge	RC1-0247-000CN	1
41	Screw, tapping, m3x6	XA9-1503-000CN	3
42	Cable, accessory interface	RM1-0042-000CN	1
43	Swing plate assembly	RM1-0043-020CN	1
44	Cable, sensor, top-bin-full (LJ 4200/4300)	RG1-4214-000CN	1
44	Cable, sensor, top-bin-full (LJ 4250/4350)	RM1-1189-000CN	1
45	Cable, envelope-feeder-connecting (LJ 4200/4300)	RG1-4224-000CN	1
45	Cable, envelope-feeder-connecting (LJ 4250/4350)	RM1-1193-000CN	1
49	Spring, torsion	RC1-0254-000CN	1
50	Spring, torsion	RC1-1923-000CN	1
51	Sensor, top-bin-full (PS104) (LJ 4200/4300)	WG8-5362-000CN	1
51	Sensor, stack (PS104) (LJ 4250/4350)	WG8-5624-000CN	1
52	Pickup drive assembly	RM1-0034-040CN	1
501	Screw, tapping, pan head, m4x10	XB4-7401-007CN	2
502	Screw, tapping, truss head, m3x8	XB4-7300-809CN	1
503	Screw, tapping, truss head, m4x8	XB4-7400-809CN	2

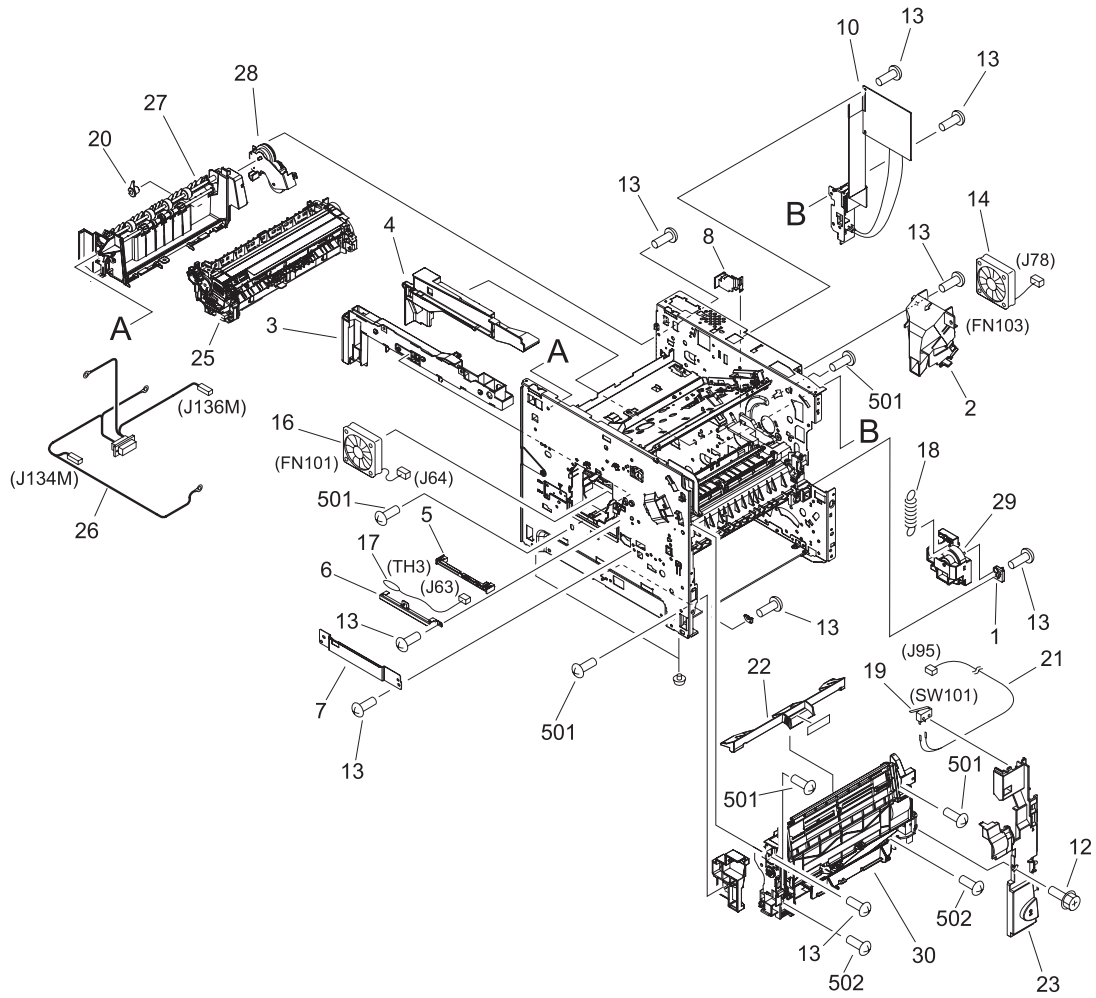


Figure 8-8 Internal components (3 of 3)

Table 8-10 Internal components (3 of 3)

Ref	Description	Part number	Qty
1	Support, lifter-drive assembly	RC1-0200-020CN	1
2	Duct, fan 2 (right side) (LJ 4300)	RC1-0272-000CN	1
2	Duct, fan 2 (right side) (LJ 4250/4350)	RC1-3338-000CN	1
3	Guide, left	RC1-0273-000CN	1
4	Guide, right	RC1-0274-020CN	1
5	Holder, thermistor (plastic)	RC1-0342-020CN	1
6	Holder, thermistor (metal)	RC1-0343-020CN	1
7	Cover, fan connector	RC1-0344-020CN	1
8	Guide, connecting cable	RC1-0386-000CN	1
10	Dc controller (LJ 4200)	RG1-4236-040CN	1
10	Dc controller (LJ 4250/4350)	RM1-1108-000CN	1
10	Dc controller (LJ 4300)	RG1-4237-040CN	1
12	Screw, rs, m3x10	XA9-1559-000CN	1
13	Screw, s, m3x8	XA9-1500-000CN	16
14	Fan, right (LJ 4300)	RH7-1577-000CN	1
14	Fan, right (LJ 4250/4350)	RK2-0280-000CN	1
16	Fan, left (LJ 4200/4300)	RH7-1573-000CN	1
16	Fan, left (LJ 4250/4350)	RK2-0278-000CN	1
17	Thermistor (LJ 4200/4300)	RH7-7116-000CN	1
17	Thermistor (LJ 4250/4350)	RK2-0359-000CN	1
18	Spring, tension	RC1-0198-000CN	1
19	Microswitch, top cover	WC4-5139-000CN	1
20	Bushing, paper delivery	RC1-0136-000CN	1
21	Cable, door switch	RG1-4213-000CN	1
22	Cover, envelope	RC1-0320-000CN	1
23	Cover, inner front, right	RC1-0019-000CN	1
25	Fuser, 110-127 V (LJ 4200)	RM1-0013-140CN	1
25	Fuser, 110-127 V (LJ 4300)	RM1-0101-200CN	1
25	Fuser, 110-127 V (LJ 4250/4350)	RM1-1082-000CN	1
25	Fuser, 220-240 V (LJ 4200)	RM1-0014-140CN	1
25	Fuser, 220-240 V (LJ 4300)	RM1-0102-200CN	1
25	Fuser, 220-240 V (LJ 4250/4350)	RM1-1083-000CN	1
26	Cable, fuser (LJ 4200/4200L)	RG1-4205-000CN	1
26	Cable, fuser (LJ 4250/4350)	RM1-1216-000CN	1

Ref	Description	Part number	Qty
26	Cable, fuser (LJ 4300)	RG1-4231-000CN	1
27	Paper-delivery assembly	RM1-0026-040CN	1
28	Duplexing-pendulum assembly	RM1-0002-020CN	1
29	Lifter-drive assembly (LJ 4200/4300)	RM1-0033-020CN	1
29	Lifter-drive assembly (LJ 4250/4350)	RM1-1074-000CN	1
30	Tray 1 pickup assembly (LJ 4200/4300) (also see Figure 8-12 Tray 1 pickup assembly)	RM1-0004-060CN	1
30	Tray 1 pickup assembly (LJ 4250/4350) (also see Figure 8-12 Tray 1 pickup assembly)	RM1-1097-000CN	1
501	Screw, tapping, pan head, m4x10	XB4-7401-007CN	4
502	Screw, tapping, truss head, m4x16	XB4-7401-605CN	2

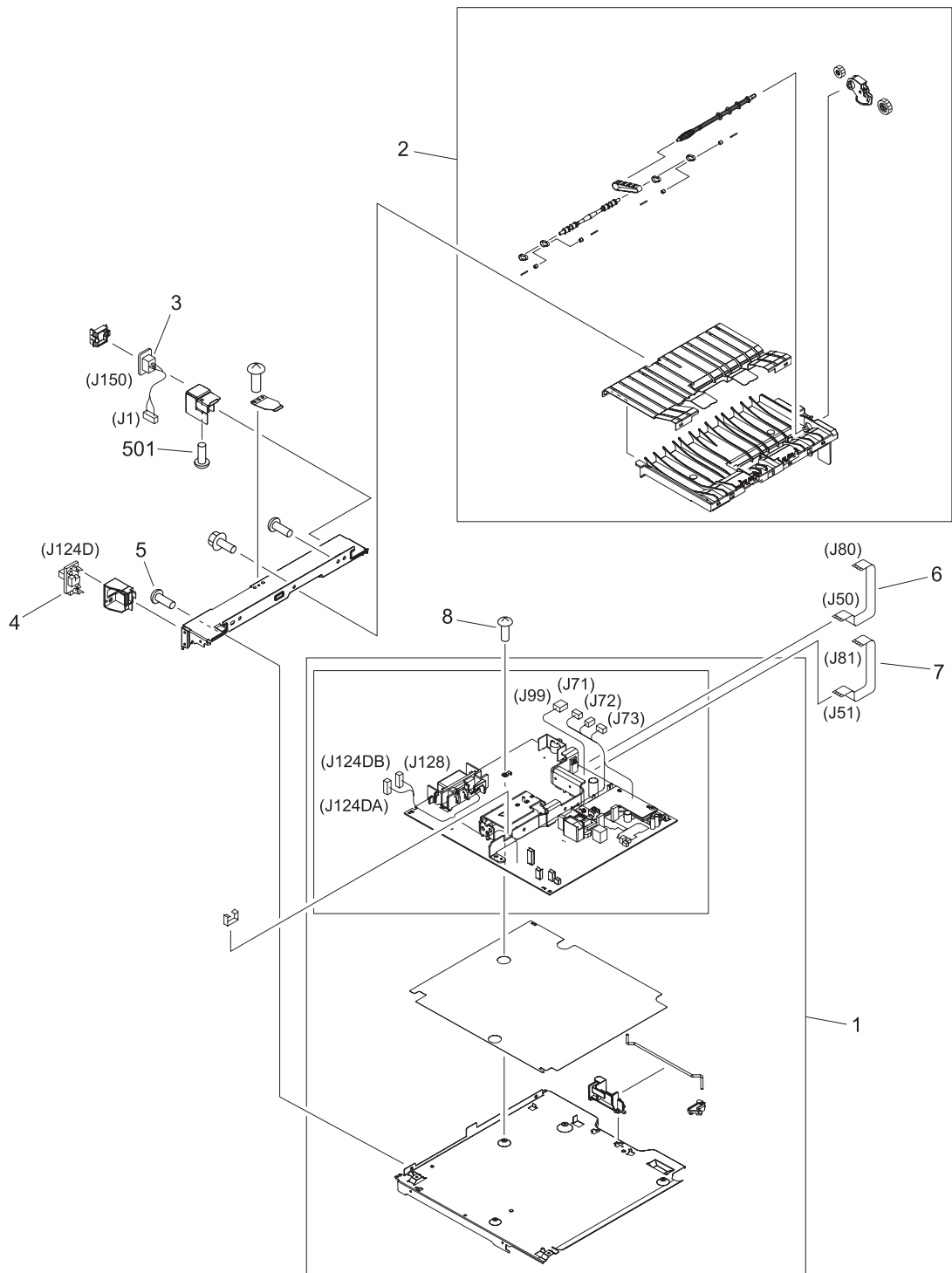


Figure 8-9 Electrical components

Table 8-11 Electrical components

Ref	Description	Part number	Qty
1	Power-supply assembly, 110-127 V (LJ 4200)	RM1-0019-050CN	1
1	Power-supply assembly, 220-240 V (LJ 4200)	RM1-0020-000CN	1
1	Power-supply assembly, 110-127 V (LJ 4250/4350)	RM1-1070-000CN	1
1	Power-supply assembly, 220-240 V (LJ 4250/4350)	RM1-1071-000CN	1
1	Power-supply assembly, 110-127 V (LJ 4300)	RM1-0107-000CN	1
1	Power-supply assembly, 220-240 V (LJ 4300)	RM1-0108-000CN	1
2	Feed assembly	RM1-0025-040CN	1
3	Cable, power-supply inlet, 110-127 V (LJ 4200/4300)	RG1-4209-000CN	1
3	Cable, power-supply inlet, 110-127 V (LJ 4250/4350)	RM1-1218-000CN	1
3	Cable, power-supply inlet, 220-240 V (LJ 4200/4300)	RG1-4230-000CN	1
3	Cable, power-supply inlet, 220-240 V (LJ 4250/4350)	RM1-1219-000CN	1
4	Connector, duplexer (LJ 4200/4300)	RG1-4222-000CN	1
4	Connector, duplexer (LJ 4250/4350)	VS1-7333-006CN	1
5	Screw, s, m3x8	XA9-1500-000CN	2
6	Cable, flat (J80-J50) (LJ 4250/4350)	RK2-0290-000CN	1
7	Cable, flat (J81-J51) (LJ 4250/4350)	RK2-0288-000CN	1
8	Screw, w/washer, m3x8	XA9-1420-000CN	7
501	Screw, w/washer, m4x6	XB2-7400-606CN	1



NOTE Flat cables for LJ 4200/4300 are wired to the power-supply assembly and are not available separately.

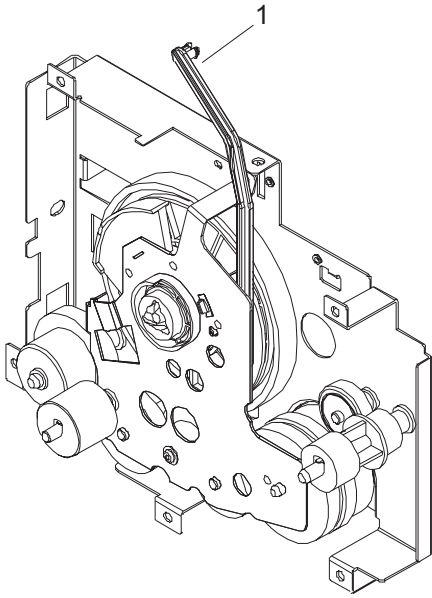


Figure 8-10 Main drive assembly

Table 8-12 Main drive assembly

Ref	Description	Part number	Qty
	Main drive assembly (LJ 4200/4300)	RM1-0001-030CN	1
	Main drive assembly (LJ 4250/4350)	RM1-1066-000CN	1
1	Arm, cartridge-release	RC1-0003-000CN	1

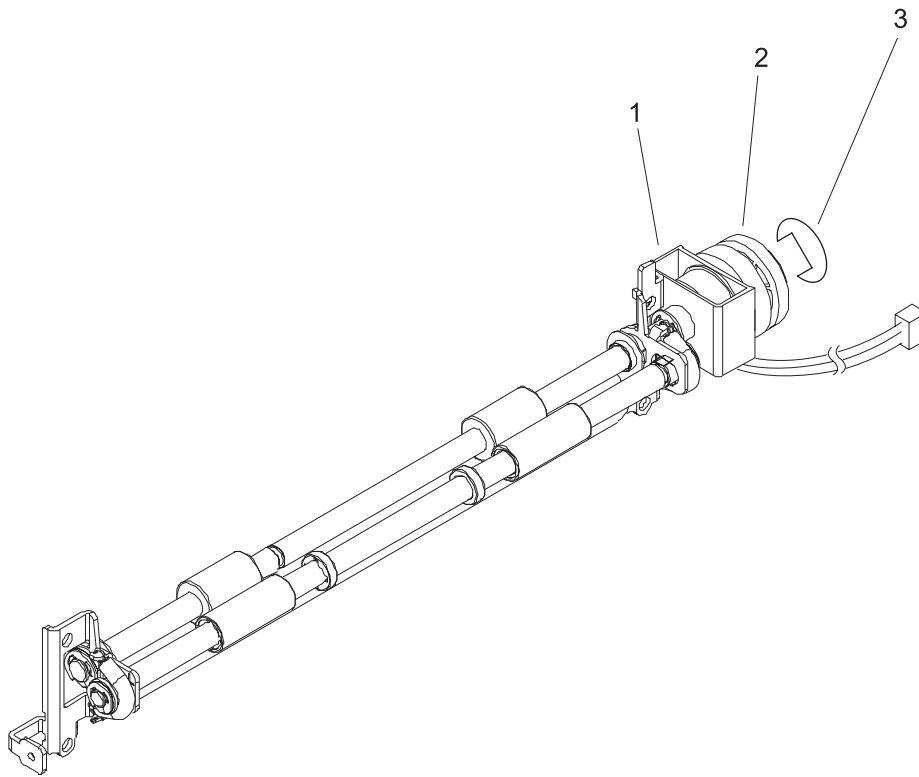


Figure 8-11 Feed roller assembly

Table 8-13 Feed roller assembly

Ref	Description	Part number	Qty
	Feed-roller assembly	RM1-0012-020CN	1
1	Clutch (CL101) (LJ 4200/4300)	RH7-5358-000CN	1
1	Clutch (CL101) (LJ 4250/4350)	RK2-0349-000CN	1
2	Gear, 30t	RU5-0050-000CN	1
3	E-ring (LJ4200/4300)	XD9-0137-000CN	1
3	E-ring (LJ4250/4350)	XD9-0234-010CN	1

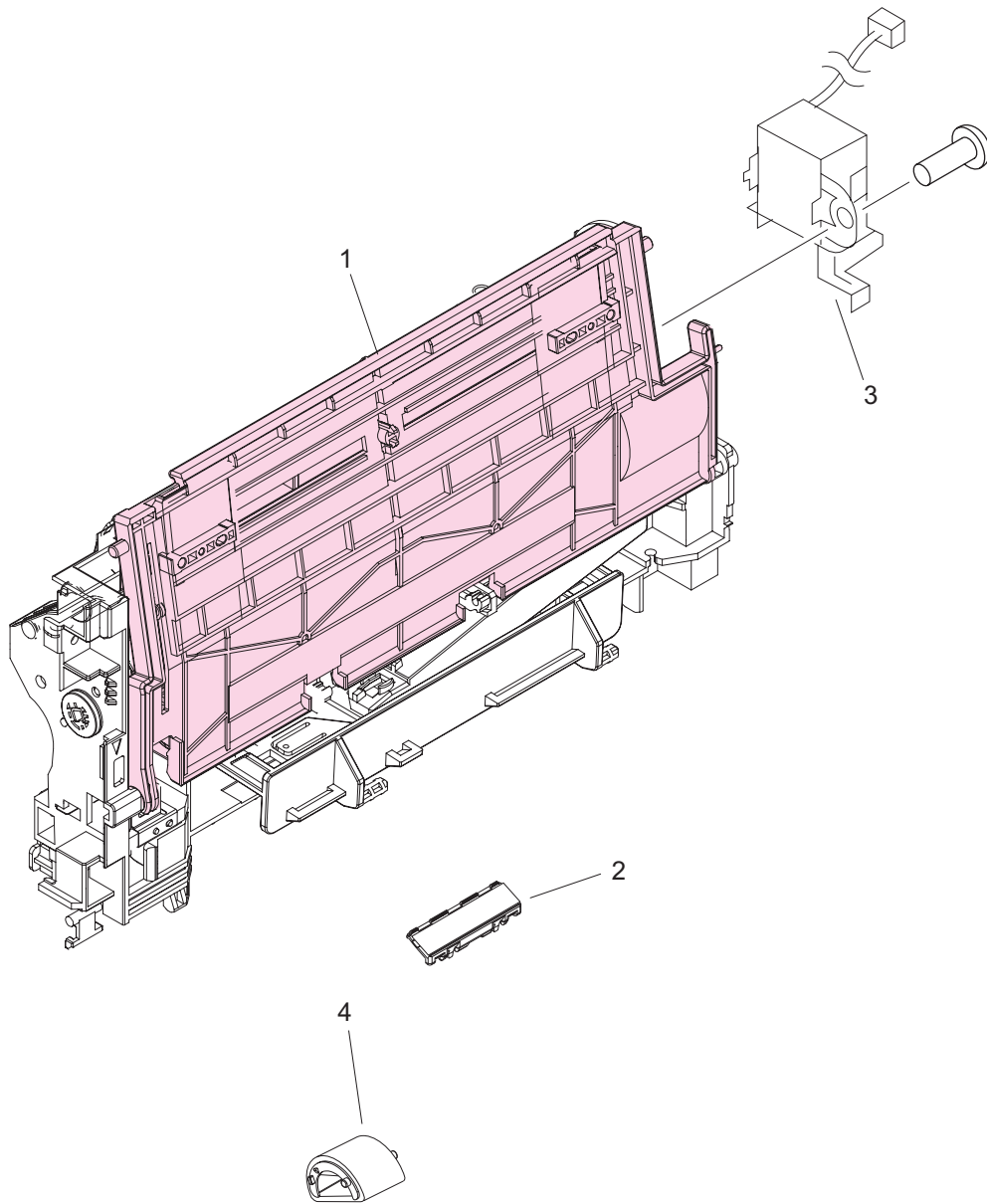


Figure 8-12 Tray 1 pickup assembly

Table 8-14 Tray 1 pickup assembly

Ref	Description	Part number	Qty
	Tray 1 pickup assembly (LJ 4200/4300)	RM1-0004-060CN	1
	Tray 1 pickup assembly (LJ 4250/4350)	RM1-1097-000CN	1
1	Tray 1	RM1-0005-020CN	1
2	Separation pad	RL1-0007-000CN	1
3	Solenoid, tray 1 pickup (LJ 4200/4300)	RH7-5357-000CN	1
3	Solenoid, tray 1 pickup (LJ 4250/4350)	RK2-0276-000CN	1
4	Roller, pickup	RL1-0019-000CN	1

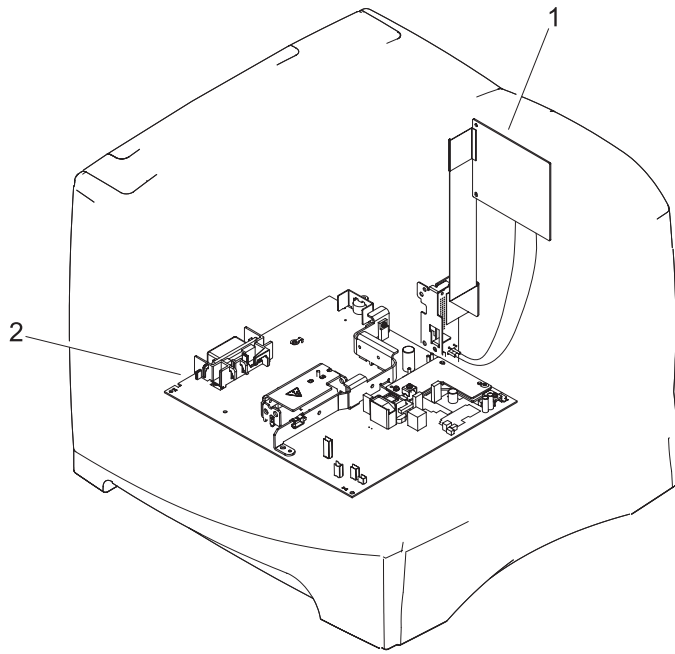


Figure 8-13 PCAs

Table 8-15 PCAs

Ref	Description	Part number	Qty
1	Dc controller (LJ 4200)	RG1-4236-040CN	1
1	Dc controller (LJ 4250/4350)	RM1-1108-000CN	1
1	Dc controller (LJ 4300)	RG1-4237-040CN	1
(not shown)	Formatter assembly (LJ 4200 printer)	C9652-67902	1
(not shown)	Formatter assembly (LJ 4200L printer)	C9652-67903	1
(not shown)	Formatter assembly (LJ 4250/4350 printer, base model)	Q3653-67901	1
(not shown)	Formatter assembly (LJ 4250/4350 printer, network models)	Q3652-67901	1
(not shown)	Formatter assembly (LJ 4300 printer)	C9651-67901	1



NOTE Callout 2 indicates the electrical components assemblies. See [Figure 8-9 Electrical components](#) for components and part numbers.

Accessories

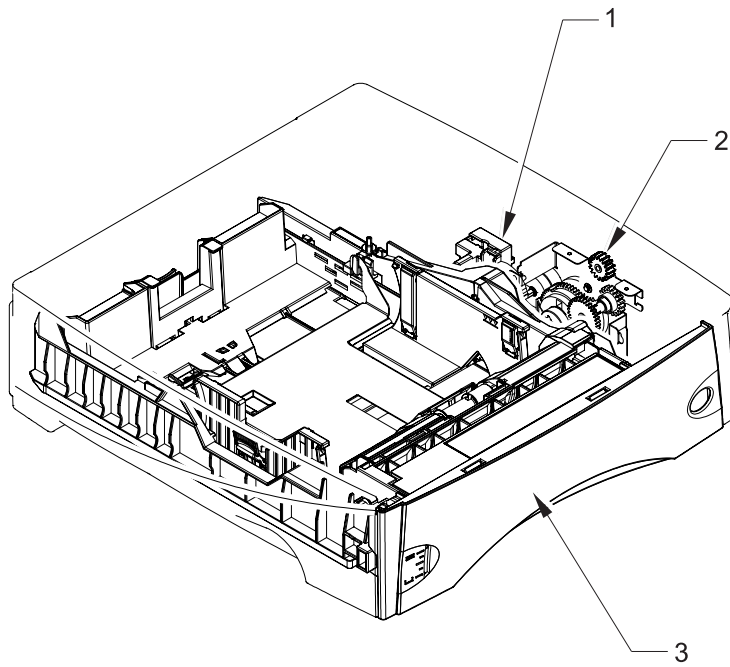


Figure 8-14 500-sheet feeder (1 of 2)

Table 8-16 500-sheet feeder (1 of 2)

Ref	Description	Part number	Qty
	500-sheet feeder and tray	Q2440-67903	1
1	Lifter-drive assembly, 500-sheet feeder	RM1-1094-000CN	1
2	Paper-pickup-drive assembly, 500-sheet feeder	RM1-0056-000CN	1
3	500-sheet universal replacement tray (LJ 4200/4300)	RM1-0028-060CN	1
3	500-sheet universal replacement tray (LJ 4250/4350)	RM1-1088-000CN	1
(not shown)	Stop, detent	RC1-3303-000CN	1
(not shown)	Limiters, torque	RC1-3335-000CN	1

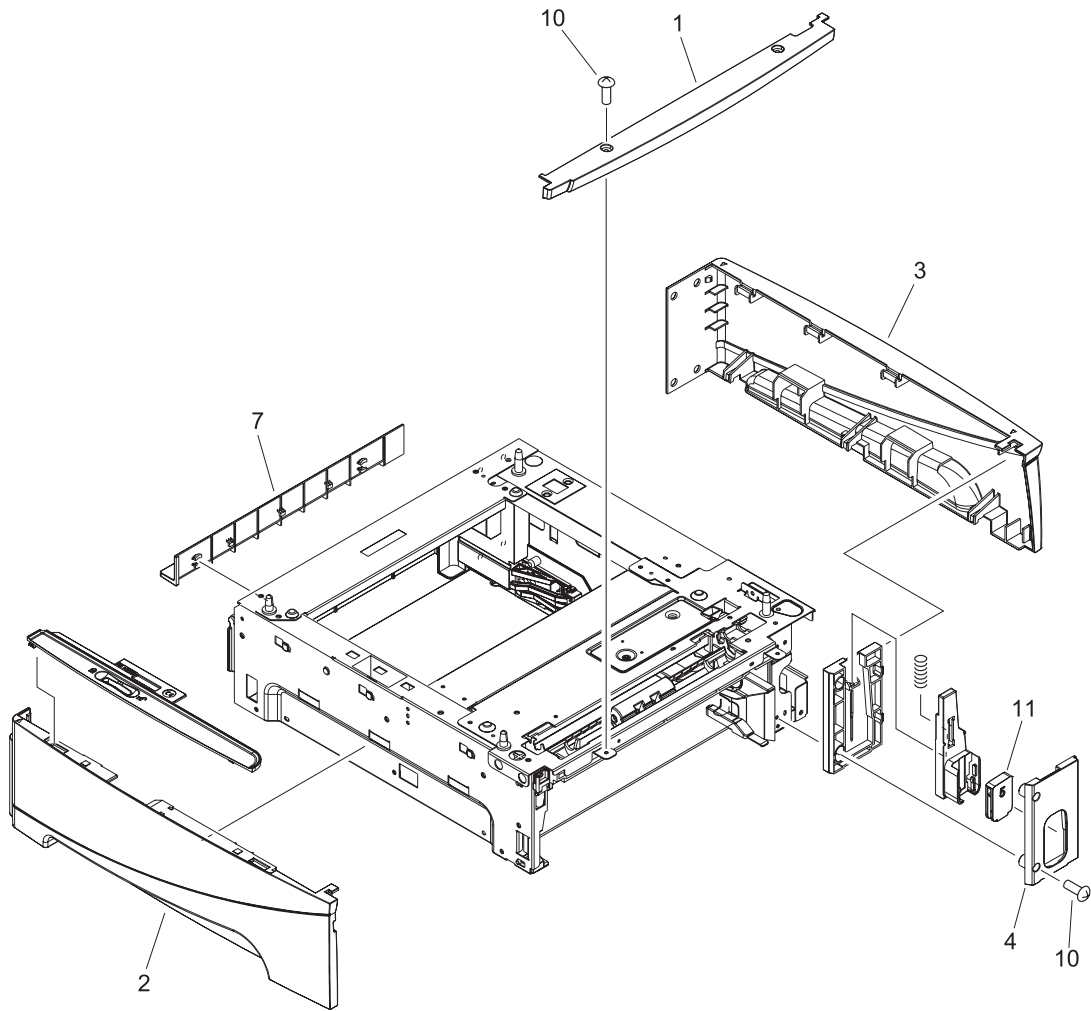


Figure 8-15 500-sheet feeder (2 of 2)

Table 8-17 500-sheet feeder (2 of 2)

Ref	Description	Part number	Qty
1	Cover, front upper, 500-sheet feeder	RC1-0486-020CN	1
2	Cover, left, 500-sheet tray	RC1-0487-020CN	1
3	Cover, right, 500-sheet tray	RC1-0488-020CN	1
4	Cover, number-display plate, 500-sheet tray	RC1-0500-000CN	1
7	Cover, legal	RC1-0509-000CN	1
11	Number, display, optional feeder (LJ 4250/4350)	RC1-3304-000CN	1
(not shown)	PCA, 500-sheet feeder	RM1-1122-000CN	1
(not shown)	Cable, interface, upper, 500-sheet feeder (LJ 4200/4300)	RG1-4201-000CN	1
(not shown)	Cable, interface, upper, 500-sheet feeder (LJ 4250/4350)	RM1-1236-000CN	1
(not shown)	Cable, interface, lower, 500-sheet feeder (LJ 4200/4300)	RG1-4202-000CN	1
(not shown)	Cable, interface, lower, 500-sheet feeder (LJ 4250/4350)	RM1-1237-000CN	1
(not shown)	Cable, size-sensor, 500-sheet feeder	RG1-4204-000CN	1
(not shown)	Cable, sensor assembly, 500-sheet feeder	RM1-1238-000CN	1
(not shown)	Media-size sensor assembly, 500-sheet feeder	RM1-0041-000CN	1
(not shown)	Gear, 18T, 500-sheet feeder	RU5-0088-000CN	1

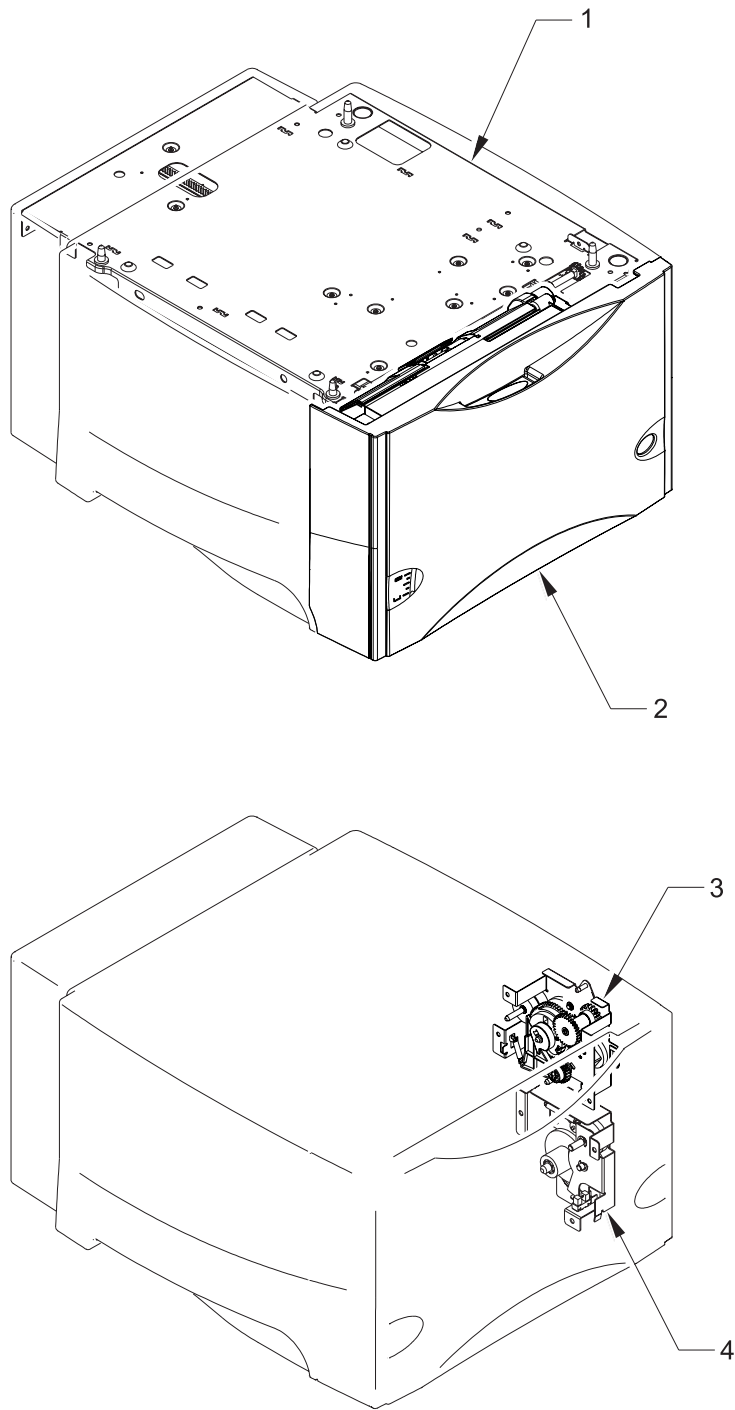


Figure 8-16 1,500-sheet feeder (1 of 2)

Table 8-18 1,500-sheet feeder (1 of 2)

Ref	Description	Part number	Qty
	1,500-sheet feeder	Q2444-67902	1
1	Paper-pickup assembly, 1,500-sheet feeder	RM1-1134-000CN	1
2	Cover assembly, front, 1,500-sheet feeder	RM1-0273-070CN	1
3	Pickup drive assembly, 1,500-sheet feeder	RM1-1133-000CN	1
4	Lifter-drive assembly, 1,500-sheet feeder	RM1-1136-000CN	1

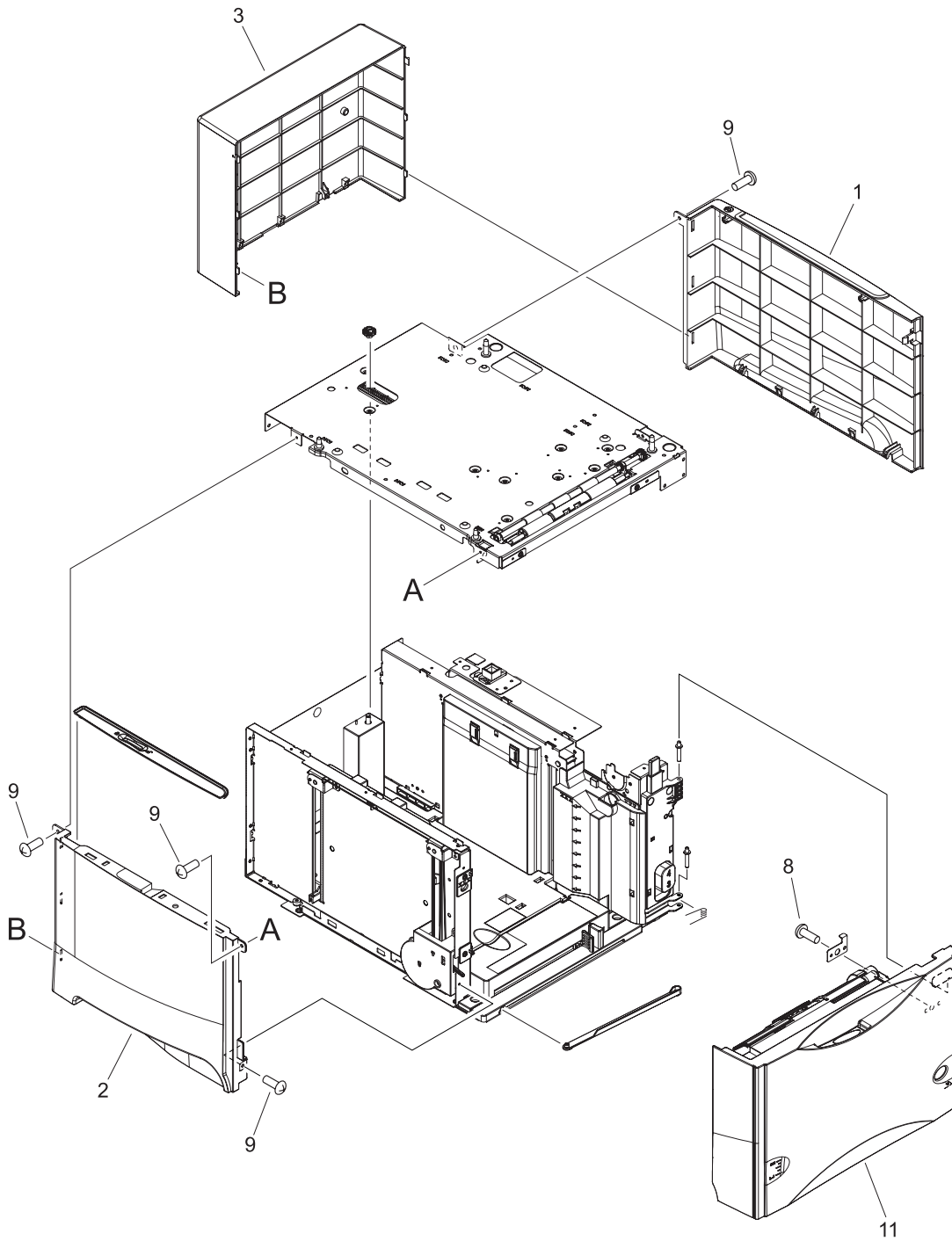


Figure 8-17 1,500-sheet feeder (2 of 2)

Table 8-19 1,500-sheet feeder (2 of 2)

Ref	Description	Part number	Qty
1	Cover, right, 1,500-sheet feeder	RC1-0661-000CN	1
2	Cover, left, 1,500-sheet feeder	RC1-0662-000CN	1
3	Cover, rear, 1,500-sheet feeder	RC1-0663-000CN	1
8	Screw, B, M4X8	XA9-1523-010CN	1
9	Screw, w/washer, M3X8	XA9-1420-010CN	4
11	Cover assembly, front, 1,500-sheet feeder	RM1-0273-070CN	1
(not shown)	PCA, 1,500-sheet feeder	RG1-4374-000CN	1
(not shown)	Cable, interface, 1,500-sheet feeder	RG1-4239-000CN	1
(not shown)	Cable, door sensor, 1,500-sheet feeder	RG1-4241-000CN	1
(not shown)	Cable, media-size sensor, 1,500-sheet feeder	RG1-4240-000CN	1
(not shown)	Motor, stepping, 1,500-sheet feeder	RH7-1603-000CN	1
(not shown)	Sensor, size (inside), 1,500-sheet feeder	RC1-0748-000CN	1
(not shown)	Sensor gear assembly, 1,500-sheet feeder	RM1-0286-000CN	1
(not shown)	Sensor, size (outside), 1,500-sheet feeder	RM1-0294-000CN	1
(not shown)	Connector, 6-point, 1,500-sheet feeder	VS1-7334-006CN	1
(not shown)	Sensor assembly	RM1-1135-000CN	1

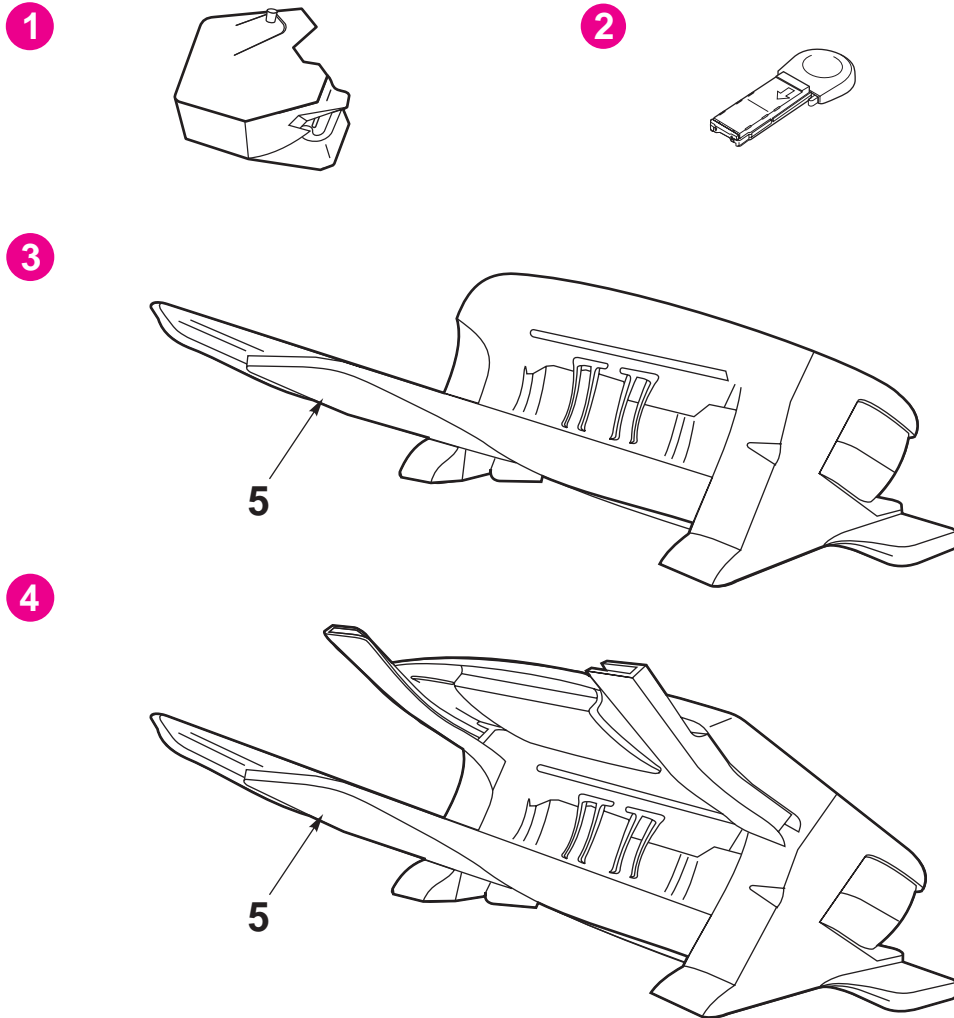


Figure 8-18 Stapler/stapler, stacker, and stapler

Table 8-20 Stapler/stacker, stacker, and stapler

Ref	Description	Part number	Qty
1	Stapler unit only	RM1-1164-000CN	1
2	1,000-staple cartridge (3-pack)	Q3216-60500	1
3	Stacker	Q2442-67902	1
4	Stapler/stacker	Q2443-67908	1
5	Output bin (fits stapler, stapler/stacker, or stacker)	RM1-0248-000CN	1
(not shown)	Cover, rear assembly, stacker	RM1-0237-000CN	1

Alphabetical parts list

Table 8-21 Alphabetical parts list

Description	Part number	Table and page
1,000-staple cartridge (3-pack)	Q3216-60500	Stapler/stacker, stacker, and stapler
1,500-sheet feeder	Q2444-67902	1,500-sheet feeder (1 of 2)
500-sheet feeder and tray	Q2440-67903	500-sheet feeder (1 of 2)
500-sheet universal replacement tray (LJ 4200/4300)	RM1-0028-060CN	500-sheet feeder (1 of 2)
500-sheet universal replacement tray (LJ 4250/4350)	RM1-1088-000CN	500-sheet feeder (1 of 2)
Arm, cartridge-release	RC1-0003-000CN	Main drive assembly
Arm, paper pickup (LJ 4200/4300)	RC1-0211-000CN	Internal components (2 of 3)
Arm, paper pickup (LJ 4250/4350)	RC1-3352-000CN	Internal components (2 of 3)
Bushing	RC1-0206-000CN	Internal components (2 of 3)
Bushing, feed shaft	RC1-0264-000CN	Internal components (2 of 3)
Bushing, paper delivery	RC1-0136-000CN	Internal components (3 of 3)
Cable, accessory interface	RM1-0042-000CN	Internal components (2 of 3)
Cable, control panel (LJ 4200/4300)	RG1-4215-000CN	Covers
Cable, control panel (LJ 4250/4350)	RM1-1190-000CN	Covers
Cable, door sensor, 1,500-sheet feeder	RG1-4241-000CN	1,500-sheet feeder (2 of 2)
Cable, door switch	RG1-4213-000CN	Internal components (3 of 3)
Cable, envelope- feeder-connecting (LJ 4200/4300)	RG1-4224-000CN	Internal components (2 of 3)
Cable, envelope-feeder-connecting (LJ 4250/4350)	RM1-1193-000CN	Internal components (2 of 3)
Cable, feeder connector (LJ 4200/4300)	RG1-4223-000CN	Internal components (2 of 3)
Cable, feeder connector (LJ 4250/4350)	RM1-1192-000CN	Internal components (2 of 3)
Cable, flat (J80-J50) (LJ 4250/4350)	RK2-0290-000CN	Electrical components
Cable, flat (J81-J51) (LJ 4250/4350)	RK2-0288-000CN	Electrical components
Cable, fuser (LJ 4200/4200L)	RG1-4205-000CN	Internal components (3 of 3)
Cable, fuser (LJ 4250/4350)	RM1-1216-000CN	Internal components (3 of 3)
Cable, fuser (LJ 4300)	RG1-4231-000CN	Internal components (3 of 3)
Cable, interface, 1,500-sheet feeder	RG1-4239-000CN	1,500-sheet feeder (2 of 2)
Cable, interface, lower, 500-sheet feeder (LJ 4200/4300)	RG1-4202-000CN	500-sheet feeder (2 of 2)
Cable, interface, lower, 500-sheet feeder (LJ 4250/4350)	RM1-1237-000CN	500-sheet feeder (2 of 2)
Cable, interface, upper, 500-sheet feeder (LJ 4200/4300)	RG1-4201-000CN	500-sheet feeder (2 of 2)
Cable, interface, upper, 500-sheet feeder (LJ 4250/4350)	RM1-1236-000CN	500-sheet feeder (2 of 2)
Cable, laser (LJ 4200/4300)	RG1-4212-000CN	Internal components (2 of 3)

Table 8-21 Alphabetical parts list (continued)

Description	Part number	Table and page
Cable, laser (LJ 4250/4350)	RM1-1198-000CN	Internal components (2 of 3)
Cable, media-size sensor, 1,500-sheet feeder	RG1-4240-000CN	1,500-sheet feeder (2 of 2)
Cable, power-supply inlet, 110-127 V (LJ 4200/4300)	RG1-4209-000CN	Electrical components
Cable, power-supply inlet, 110-127 V (LJ 4250/4350)	RM1-1218-000CN	Electrical components
Cable, power-supply inlet, 220-240 V (LJ 4200/4300)	RG1-4230-000CN	Electrical components
Cable, power-supply inlet, 220-240 V (LJ 4250/4350)	RM1-1219-000CN	Electrical components
Cable, sensor assembly, 500-sheet feeder	RM1-1238-000CN	500-sheet feeder (2 of 2)
Cable, sensor, top-bin-full (LJ 4200/4300)	RG1-4214-000CN	Internal components (2 of 3)
Cable, sensor, top-bin-full (LJ 4250/4350)	RM1-1189-000CN	Internal components (2 of 3)
Cable, size-sensor, 500-sheet feeder	RG1-4204-000CN	500-sheet feeder (2 of 2)
Clutch (CL101) (LJ 4200/4300)	RH7-5358-000CN	Feed roller assembly
Clutch (CL101) (LJ 4250/4350)	RK2-0349-000CN	Feed roller assembly
Connector, 6-point, 1,500-sheet feeder	VS1-7334-006CN	1,500-sheet feeder (2 of 2)
Connector, duplexer (LJ 4200/4300)	RG1-4222-000CN	Electrical components
Connector, duplexer (LJ 4250/4350)	VS1-7333-006CN	Electrical components
Control-panel assembly (LJ 4200/4300)	RG1-4276-020CN	Covers
Control-panel assembly (LJ 4250/4350)	RM1-1195-000CN	Covers
Cover assembly, front	RM1-0050-030CN	Covers
Cover assembly, front, 1,500-sheet feeder	RM1-0273-070CN	1,500-sheet feeder (1 of 2)
Cover assembly, front, 1,500-sheet feeder	RM1-0273-070CN	1,500-sheet feeder (2 of 2)
Cover assembly, right (LJ 4200/4300)	RM1-0046-000CN	Covers
Cover assembly, right (LJ 4250/4350)	RM1-1076-000CN	Covers
Cover assembly, top (LJ 4250/4350)	RM1-1081-000CN	Covers
Cover assembly, top(LJ 4200/4300)	RM1-0049-000CN	Covers
Cover, cartridge door (LJ 4200)	RM1-0047-020CN	Covers
Cover, cartridge door (LJ 4250/4350)	RM1-1080-000CN	Covers
Cover, cartridge door (LJ 4300)	RM1-0114-020CN	Covers
Cover, duplexing (LJ 4200/4300)	RC1-0291-000CN	Covers
Cover, duplexing (LJ 4250/4350)	RC1-3280-000CN	Covers
Cover, envelope	RC1-0320-000CN	Internal components (3 of 3)
Cover, fan connector	RC1-0344-020CN	Internal components (3 of 3)
Cover, formatter	RC1-0288-000CN	Covers
Cover, front upper, 500-sheet feeder	RC1-0486-020CN	500-sheet feeder (2 of 2)
Cover, inner front, right	RC1-0019-000CN	Internal components (3 of 3)

Table 8-21 Alphabetical parts list (continued)

Description	Part number	Table and page
Cover, left (LJ 4200/4300)	RC1-0287-020CN	Covers
Cover, left (LJ 4250/4350)	RM1-1077-000CN	Covers
Cover, left, 1,500-sheet feeder	RC1-0662-000CN	1,500-sheet feeder (2 of 2)
Cover, left, 500-sheet tray	RC1-0487-020CN	500-sheet feeder (2 of 2)
Cover, legal	RC1-0509-000CN	500-sheet feeder (2 of 2)
Cover, legal (LJ 4200/4300)	RC1-0290-000CN	Covers
Cover, legal (LJ 4250/4350)	RC1-3282-000CN	Covers
Cover, number-display plate, 500-sheet tray	RC1-0500-000CN	500-sheet feeder (2 of 2)
Cover, paper-handling	RC1-0289-000CN	Covers
Cover, rear assembly, stacker	RM1-0237-000CN	Stapler/stacker, stacker, and stapler
Cover, rear output bin	RM1-0027-020CN	Covers
Cover, rear, 1,500-sheet feeder	RC1-0663-000CN	1,500-sheet feeder (2 of 2)
Cover, right, 1,500-sheet feeder	RC1-0661-000CN	1,500-sheet feeder (2 of 2)
Cover, right, 500-sheet tray	RC1-0488-020CN	500-sheet feeder (2 of 2)
Dc controller (LJ 4200)	RG1-4236-040CN	Internal components (3 of 3)
Dc controller (LJ 4200)	RG1-4236-040CN	PCAs
Dc controller (LJ 4250/4350)	RM1-1108-000CN	Internal components (3 of 3)
Dc controller (LJ 4250/4350)	RM1-1108-000CN	PCAs
Dc controller (LJ 4300)	RG1-4237-040CN	Internal components (3 of 3)
Dc controller (LJ 4300)	RG1-4237-040CN	PCAs
Duct, fan 2 (right side) (LJ 4250/4350)	RC1-3338-000CN	Internal components (3 of 3)
Duct, fan 2 (right side) (LJ 4300)	RC1-0272-000CN	Internal components (3 of 3)
Duplexing-pendulum assembly	RM1-0002-020CN	Internal components (3 of 3)
E-ring	XD9-0232-000CN	Internal components (1 of 3)
E-ring	XD9-0232-000CN	Internal components (2 of 3)
E-ring (LJ4200/4300)	XD9-0137-000CN	Feed roller assembly
E-ring (LJ4250/4350)	XD9-0234-010CN	Feed roller assembly
Fan, left (LJ 4200/4300)	RH7-1573-000CN	Internal components (3 of 3)
Fan, left (LJ 4250/4350)	RK2-0278-000CN	Internal components (3 of 3)
Fan, right (LJ 4250/4350)	RK2-0280-000CN	Internal components (3 of 3)
Fan, right (LJ 4300)	RH7-1577-000CN	Internal components (3 of 3)
Feed assembly	RM1-0025-040CN	Electrical components
Feed roller assembly (also see Figure 8-11 Feed roller assembly)	RM1-0012-020CN	Internal components (1 of 3)

Table 8-21 Alphabetical parts list (continued)

Description	Part number	Table and page
Feed-roller assembly	RM1-0012-020CN	Feed roller assembly
Flag, paper feed sensor	RC1-0060-000CN	Internal components (1 of 3)
Flag, paper sensing	RC1-0209-000CN	Internal components (2 of 3)
Foot	RB1-8107-000CN	Internal components (2 of 3)
Formatter assembly (LJ 4200 printer)	C9652-67902	PCAs
Formatter assembly (LJ 4200L printer)	C9652-67903	PCAs
Formatter assembly (LJ 4250/4350 printer, base model)	Q3653-67901	PCAs
Formatter assembly (LJ 4250/4350 printer, network models)	Q3652-67901	PCAs
Formatter assembly (LJ 4300 printer)	C9651-67901	PCAs
Fuser, 110-127 V (LJ 4200)	RM1-0013-140CN	Internal components (3 of 3)
Fuser, 110-127 V (LJ 4250/4350)	RM1-1082-000CN	Internal components (3 of 3)
Fuser, 110-127 V (LJ 4300)	RM1-0101-200CN	Internal components (3 of 3)
Fuser, 220-240 V (LJ 4200)	RM1-0014-140CN	Internal components (3 of 3)
Fuser, 220-240 V (LJ 4250/4350)	RM1-1083-000CN	Internal components (3 of 3)
Fuser, 220-240 V (LJ 4300)	RM1-0102-200CN	Internal components (3 of 3)
Gear, 14t/30t	RU5-0015-000CN	Internal components (1 of 3)
Gear, 18t	RU5-0045-020CN	Internal components (2 of 3)
Gear, 18T, 500-sheet feeder	RU5-0088-000CN	500-sheet feeder (2 of 2)
Gear, 23t	RU5-0040-000CN	Internal components (2 of 3)
Gear, 23t	RC1-0371-000CN	Internal components (2 of 3)
Gear, 30t	RU5-0050-000CN	Feed roller assembly
Guard, left-edge	RC1-0247-000CN	Internal components (2 of 3)
Guard, right-edge	RC1-0242-000CN	Internal components (2 of 3)
Guide, connecting cable	RC1-0386-000CN	Internal components (3 of 3)
Guide, dc controller (LJ 4200/4300)	RC1-0271-000CN	Internal components (1 of 3)
Guide, dc controller (LJ 4250/4350)	RC1-3340-000CN	Internal components (1 of 3)
Guide, ECU, rear	RC1-0244-000CN	Internal components (2 of 3)
Guide, flat cable	RC1-0269-020CN	Internal components (1 of 3)
Guide, flat cable	RC1-0270-020CN	Internal components (1 of 3)
Guide, left	RC1-0273-000CN	Internal components (3 of 3)
Guide, power-supply, front	RC1-0243-000CN	Internal components (2 of 3)
Guide, right	RC1-0274-020CN	Internal components (3 of 3)
Guide, scanner cable	RC1-0340-020CN	Internal components (2 of 3)
Guide, scanner cable	RC1-0385-000CN	Internal components (2 of 3)

Table 8-21 Alphabetical parts list (continued)

Description	Part number	Table and page
Guide, tray 2	RC1-0153-030CN	Internal components (2 of 3)
Holder, paper pickup arm	RC1-0212-000CN	Internal components (2 of 3)
Holder, paper sensing	RC1-0208-030CN	Internal components (2 of 3)
Holder, thermistor (metal)	RC1-0343-020CN	Internal components (3 of 3)
Holder, thermistor (plastic)	RC1-0342-020CN	Internal components (3 of 3)
Kicker assembly	RL1-0015-000CN	Internal components (2 of 3)
Laser/scanner assembly (LJ 4200)	RM1-0045-000CN	Internal components (2 of 3)
Laser/scanner assembly (LJ 4250/4350)	RM1-1067-000CN	Internal components (2 of 3)
Laser/scanner assembly (LJ 4300)	RM1-0113-000CN	Internal components (2 of 3)
Lifter-drive assembly (LJ 4200/4300)	RM1-0033-020CN	Internal components (3 of 3)
Lifter-drive assembly (LJ 4250/4350)	RM1-1074-000CN	Internal components (3 of 3)
Lifter-drive assembly, 1,500-sheet feeder	RM1-1136-000CN	1,500-sheet feeder (1 of 2)
Lifter-drive assembly, 500-sheet feeder	RM1-1094-000CN	500-sheet feeder (1 of 2)
Limiters, torque	RC1-3335-000CN	500-sheet feeder (1 of 2)
Main drive assembly (LJ 4200/4300)	RM1-0001-030CN	Main drive assembly
Main drive assembly (LJ 4200/4300) (also see Figure 8-10 Main drive assembly)	RM1-0001-030CN	Internal components (1 of 3)
Main drive assembly (LJ 4250/4350)	RM1-1066-000CN	Main drive assembly
Main drive assembly (LJ 4250/4350) (also see Figure 8-10 Main drive assembly)	RM1-1066-000CN	Internal components (1 of 3)
Media-size sensor assembly, 500-sheet feeder	RM1-0041-000CN	500-sheet feeder (2 of 2)
Microswitch, top cover	WC4-5139-000CN	Internal components (3 of 3)
Motor, main (M101), 10-pin (LJ4200/4300)	RH7-1570-000CN	Internal components (1 of 3)
Motor, main (M101), 10-pin (LJ4250/4350)	RK2-0272-000CN	Internal components (1 of 3)
Motor, print cartridge (M102), 8-pin (LJ 4250/4350)	RK2-0274-000CN	Internal components (1 of 3)
Motor, print cartridge (M102), 8-pin (LJ 4300)	RH7-1576-020CN	Internal components (1 of 3)
Motor, stepping, 1,500-sheet feeder	RH7-1603-000CN	1,500-sheet feeder (2 of 2)
Name plate kit, LJ 4200	Q2425-67901	Covers
Name plate kit, LJ 4200L	Q3993-40001	Covers
Name plate kit, LJ 4200Ln	Q3994-40004	Covers
Name plate kit, LJ 4250	Q5400-67911	Covers
Name plate kit, LJ 4300	Q2431-67908	Covers
Name plate kit, LJ 4350	Q5406-67912	Covers
Number, display, optional feeder (LJ 4250/4350)	RC1-3304-000CN	500-sheet feeder (2 of 2)

Table 8-21 Alphabetical parts list (continued)

Description	Part number	Table and page
Output bin (fits stapler, stapler/stacker, or stacker)	RM1-0248-000CN	Stapler/stacker, stacker, and stapler
Overlay, control panel, AR (LJ 4250/4350)	Q5400-60111	Covers
Overlay, control panel, CS/HU/PL/EL (LJ 4250/4350)	Q5400-60103	Covers
Overlay, control panel, EN (LJ 4250/4350)	RC1-3356-000CN	Covers
Overlay, control panel, EN/AR (LJ 4200/4300)	Q2431-60112	Covers
Overlay, control panel, EN/AR (LJ 4250/4350)	Q5400-60107	Covers
Overlay, control panel, EN/CS/HU/PL (LJ 4200/4300)	Q2431-60108	Covers
Overlay, control panel, EN/DE/FR/NL (LJ 4250/4350)	Q5400-60108	Covers
Overlay, control panel, EN/FR/DE/IT (LJ 4200/4300)	Q2431-60107	Covers
Overlay, control panel, EN/FR/DE/IT (LJ 4250/4350)	Q5400-60102	Covers
Overlay, control panel, EN/FR/DE/NL (LJ 4200/4300)	Q2431-60113	Covers
Overlay, control panel, EN/RU (LJ 4200/4300)	Q2431-60111	Covers
Overlay, control panel, EN/RU/TR (LJ 4250/4350)	Q5400-60106	Covers
Overlay, control panel, ES/PT/IT (LJ 4250/4350)	Q5400-60105	Covers
Overlay, control panel, FR (LJ 4250/4350)	Q5400-60109	Covers
Overlay, control panel, Greek (LJ 4200/4300)	Q2431-40023	Covers
Overlay, control panel, Hebrew (LJ 4200/4300)	Q2431-40022	Covers
Overlay, control panel, IT/ES/PT/SP (LJ 4200/4300)	Q2431-60110	Covers
Overlay, control panel, NO/SV/FI (LJ 4250/4350)	Q5400-60104	Covers
Overlay, control panel, NO/SW/FI (LJ 4200/4300)	Q2431-60109	Covers
Overlay, control panel, Turkish (LJ 4200/4300)	Q2431-40021	Covers
Paper-delivery assembly	RM1-0026-040CN	Internal components (3 of 3)
Paper-pickup assembly, 1,500-sheet feeder	RM1-1134-000CN	1,500-sheet feeder (1 of 2)
Paper-pickup-drive assembly, 500-sheet feeder	RM1-0056-000CN	500-sheet feeder (1 of 2)
PCA, 1,500-sheet feeder	RG1-4374-000CN	1,500-sheet feeder (2 of 2)
PCA, 500-sheet feeder	RM1-1122-000CN	500-sheet feeder (2 of 2)
Pickup drive assembly	RM1-0034-040CN	Internal components (2 of 3)
Pickup drive assembly, 1,500-sheet feeder	RM1-1133-000CN	1,500-sheet feeder (1 of 2)
Pickup-sensor cable assembly (LJ4200/4300)	RG1-4221-000CN	Internal components (2 of 3)
Pickup-sensor cable assembly (LJ4250/4350)	RM1-1181-000CN	Internal components (2 of 3)
Plate, swing	RL1-0013-000CN	Internal components (2 of 3)
Power-supply assembly, 110-127 V (LJ 4200)	RM1-0019-050CN	Electrical components
Power-supply assembly, 110-127 V (LJ 4200) (also see Figure 8-9 Electrical components)	RM1-0019-050CN	Internal components (1 of 3)

Table 8-21 Alphabetical parts list (continued)

Description	Part number	Table and page
Power-supply assembly, 110-127 V (LJ 4250/4350)	RM1-1070-000CN	Electrical components
Power-supply assembly, 110-127 V (LJ 4250/4350) (also see Figure 8-9 Electrical components)	RM1-1070-000CN	Internal components (1 of 3)
Power-supply assembly, 110-127 V (LJ 4300)	RM1-0107-000CN	Electrical components
Power-supply assembly, 110-127 V (LJ 4300) (also see Figure 8-9 Electrical components)	RM1-0107-000CN	Internal components (1 of 3)
Power-supply assembly, 220-240 V (LJ 4200)	RM1-0020-000CN	Electrical components
Power-supply assembly, 220-240 V (LJ 4200) (also see Figure 8-9 Electrical components)	RM1-0020-000CN	Internal components (1 of 3)
Power-supply assembly, 220-240 V (LJ 4250/4350)	RM1-1071-000CN	Electrical components
Power-supply assembly, 220-240 V (LJ 4250/4350) (also see Figure 8-9 Electrical components)	RM1-1071-000CN	Internal components (1 of 3)
Power-supply assembly, 220-240 V (LJ 4300)	RM1-0108-000CN	Electrical components
Power-supply assembly, 220-240 V (LJ 4300) (also see Figure 8-9 Electrical components)	RM1-0108-000CN	Internal components (1 of 3)
Registration assembly	RM1-0011-060CN	Internal components (1 of 3)
Rod, fan 2 (LJ 4250/4350)	RC1-3339-000CN	Internal components (1 of 3)
Rod, fan 2 (LJ 4300)	RC1-0341-000CN	Internal components (1 of 3)
Rod, switch	RC1-0268-000CN	Internal components (2 of 3)
Roller, paper-feed	RM1-0037-020CN	Internal components (2 of 3)
Roller, paper-pickup	RM1-0036-000CN	Internal components (2 of 3)
Roller, pickup	RL1-0019-000CN	Tray 1 pickup assembly
Screw, B, M4X8	XA9-1523-010CN	1,500-sheet feeder (2 of 2)
Screw, rs, m3x10	XA9-1559-000CN	Internal components (2 of 3)
Screw, rs, m3x10	XA9-1559-000CN	Internal components (3 of 3)
Screw, s, m3x8	XA9-1500-000CN	Internal components (1 of 3)
Screw, s, m3x8	XA9-1500-000CN	Internal components (2 of 3)
Screw, s, m3x8	XA9-1500-000CN	Internal components (3 of 3)
Screw, s, m3x8	XA9-1500-000CN	Electrical components
Screw, tapping, m3x6	XA9-1503-000CN	Internal components (1 of 3)
Screw, tapping, m3x6	XA9-1503-000CN	Internal components (2 of 3)
Screw, tapping, pan head, m4x10	XB4-7401-007CN	Covers
Screw, tapping, pan head, m4x10	XB4-7401-007CN	Internal components (1 of 3)
Screw, tapping, pan head, m4x10	XB4-7401-007CN	Internal components (2 of 3)
Screw, tapping, pan head, m4x10	XB4-7401-007CN	Internal components (3 of 3)
Screw, tapping, truss head, m3x8	XB4-7300-809CN	Internal components (2 of 3)

Table 8-21 Alphabetical parts list (continued)

Description	Part number	Table and page
Screw, tapping, truss head, m4x16	XB4-7401-605CN	Internal components (3 of 3)
Screw, tapping, truss head, m4x8	XB4-7400-809CN	Internal components (2 of 3)
Screw, w/washer, m3x6	XB2-7300-607CN	Internal components (1 of 3)
Screw, w/washer, M3X8	XA9-1420-010CN	1,500-sheet feeder (2 of 2)
Screw, w/washer, m3x8	XA9-1420-000CN	Electrical components
Screw, w/washer, m4x6	XB2-7400-606CN	Electrical components
Sensor assembly	RM1-1135-000CN	1,500-sheet feeder (2 of 2)
Sensor gear assembly, 1,500-sheet feeder	RM1-0286-000CN	1,500-sheet feeder (2 of 2)
Sensor, size (inside), 1,500-sheet feeder	RC1-0748-000CN	1,500-sheet feeder (2 of 2)
Sensor, size (outside), 1,500-sheet feeder	RM1-0294-000CN	1,500-sheet feeder (2 of 2)
Sensor, stack (PS 107), LJ 4250/4350	WG8-5624-000CN	Internal components (2 of 3)
Sensor, stack (PS104) (LJ 4250/4350)	WG8-5624-000CN	Internal components (2 of 3)
Sensor, top-bin-full (PS104) (LJ 4200/4300)	WG8-5362-000CN	Internal components (2 of 3)
Sensor, top-bin-full/stack (PS 104/PS 107), LJ 4200/4300	WG8-5362-000CN	Internal components (2 of 3)
Separation pad	RL1-0007-000CN	Tray 1 pickup assembly
Shaft, retard drive	RL1-0264-000CN	Internal components (2 of 3)
Sheet, solenoid damper	RC1-0330-020CN	Internal components (2 of 3)
Size-sensing assembly, tray 2	RM1-0041-020CN	Internal components (2 of 3)
Solenoid, tray 1 pickup (LJ 4200/4300)	RH7-5357-000CN	Tray 1 pickup assembly
Solenoid, tray 1 pickup (LJ 4250/4350)	RK2-0276-000CN	Tray 1 pickup assembly
Solenoid, tray 2 pickup (LJ 4200/4300)	RH7-5355-000CN	Internal components (2 of 3)
Solenoid, tray 2 pickup (LJ 4250/4350)	RK2-0269-000CN	Internal components (2 of 3)
Spring, compression	RC1-0213-000CN	Internal components (2 of 3)
Spring, leaf grounding, top Cover (LJ 4250/4350 only)	RC1-0307-000CN	Covers
Spring, tension	RC1-0198-000CN	Internal components (3 of 3)
Spring, torsion	RC1-0061-000CN	Internal components (1 of 3)
Spring, torsion	RC1-0254-000CN	Internal components (2 of 3)
Spring, torsion	RC1-1923-000CN	Internal components (2 of 3)
Stacker	Q2442-67902	Stapler/stacker, stacker, and stapler
Stapler unit only	RM1-1164-000CN	Stapler/stacker, stacker, and stapler
Stapler/stacker	Q2443-67908	Stapler/stacker, stacker, and stapler
Stop, detent	RC1-3303-000CN	500-sheet feeder (1 of 2)

Table 8-21 Alphabetical parts list (continued)

Description	Part number	Table and page
Support, lifter-drive assembly	RC1-0200-020CN	Internal components (3 of 3)
Swing plate assembly	RM1-0043-020CN	Internal components (2 of 3)
Thermistor (LJ 4200/4300)	RH7-7116-000CN	Internal components (3 of 3)
Thermistor (LJ 4250/4350)	RK2-0359-000CN	Internal components (3 of 3)
Transfer roller, LJ 4200/4300	RM1-0699-020CN	Internal components (1 of 3)
Transfer roller, LJ 4250/4350	RM1-1110-000CN	Internal components (1 of 3)
Tray 1	RM1-0005-020CN	Tray 1 pickup assembly
Tray 1 pickup assembly (LJ 4200/4300)	RM1-0004-060CN	Tray 1 pickup assembly
Tray 1 pickup assembly (LJ 4200/4300) (also see Figure 8-12 Tray 1 pickup assembly)	RM1-0004-060CN	Internal components (3 of 3)
Tray 1 pickup assembly (LJ 4250/4350)	RM1-1097-000CN	Tray 1 pickup assembly
Tray 1 pickup assembly (LJ 4250/4350) (also see Figure 8-12 Tray 1 pickup assembly)	RM1-1097-000CN	Internal components (3 of 3)

Numerical parts list

Table 8-22 Numerical parts list

Part number	Description	Table and page
C9651-67901	Formatter assembly (LJ 4300 printer)	PCAs
C9652-67902	Formatter assembly (LJ 4200 printer)	PCAs
C9652-67903	Formatter assembly (LJ 4200L printer)	PCAs
Q2425-67901	Name plate kit, LJ 4200	Covers
Q2431-40021	Overlay, control panel, Turkish (LJ 4200/4300)	Covers
Q2431-40022	Overlay, control panel, Hebrew (LJ 4200/4300)	Covers
Q2431-40023	Overlay, control panel, Greek (LJ 4200/4300)	Covers
Q2431-60107	Overlay, control panel, EN/FR/DE/IT (LJ 4200/4300)	Covers
Q2431-60108	Overlay, control panel, EN/CS/HU/PL (LJ 4200/4300)	Covers
Q2431-60109	Overlay, control panel, NO/SW/FI (LJ 4200/4300)	Covers
Q2431-60110	Overlay, control panel, IT/ES/PT/SP (LJ 4200/4300)	Covers
Q2431-60111	Overlay, control panel, EN/RU (LJ 4200/4300)	Covers
Q2431-60112	Overlay, control panel, EN/AR (LJ 4200/4300)	Covers
Q2431-60113	Overlay, control panel, EN/FR/DE/NL (LJ 4200/4300)	Covers
Q2431-67908	Name plate kit, LJ 4300	Covers
Q2440-67903	500-sheet feeder and tray	500-sheet feeder (1 of 2)
Q2442-67902	Stacker	Stapler/stacker, stacker, and stapler
Q2443-67908	Stapler/stacker	Stapler/stacker, stacker, and stapler
Q2444-67902	1,500-sheet feeder	1,500-sheet feeder (1 of 2)
Q3216-60500	1,000-staple cartridge (3-pack)	Stapler/stacker, stacker, and stapler
Q3652-67901	Formatter assembly (LJ 4250/4350 printer, network models)	PCAs
Q3653-67901	Formatter assembly (LJ 4250/4350 printer, base model)	PCAs
Q3993-40001	Name plate kit, LJ 4200L	Covers
Q3994-40004	Name plate kit, LJ 4200Ln	Covers
Q5400-60102	Overlay, control panel, EN/FR/DE/IT (LJ 4250/4350)	Covers
Q5400-60103	Overlay, control panel, CS/HU/PL/EL (LJ 4250/4350)	Covers
Q5400-60104	Overlay, control panel, NO/SV/FI (LJ 4250/4350)	Covers
Q5400-60105	Overlay, control panel, ES/PT/IT (LJ 4250/4350)	Covers
Q5400-60106	Overlay, control panel, EN/RU/TR (LJ 4250/4350)	Covers
Q5400-60107	Overlay, control panel, EN/AR (LJ 4250/4350)	Covers

Table 8-22 Numerical parts list (continued)

Part number	Description	Table and page
Q5400-60108	Overlay, control panel, EN/DE/FR/NL (LJ 4250/4350)	Covers
Q5400-60109	Overlay, control panel, FR (LJ 4250/4350)	Covers
Q5400-60111	Overlay, control panel, AR (LJ 4250/4350)	Covers
Q5400-67911	Name plate kit, LJ 4250	Covers
Q5406-67912	Name plate kit, LJ 4350	Covers
RB1-8107-000CN	Foot	Internal components (2 of 3)
RC1-0003-000CN	Arm, cartridge-release	Main drive assembly
RC1-0019-000CN	Cover, inner front, right	Internal components (3 of 3)
RC1-0060-000CN	Flag, paper feed sensor	Internal components (1 of 3)
RC1-0061-000CN	Spring, torsion	Internal components (1 of 3)
RC1-0136-000CN	Bushing, paper delivery	Internal components (3 of 3)
RC1-0153-030CN	Guide, tray 2	Internal components (2 of 3)
RC1-0198-000CN	Spring, tension	Internal components (3 of 3)
RC1-0200-020CN	Support, lifter-drive assembly	Internal components (3 of 3)
RC1-0206-000CN	Bushing	Internal components (2 of 3)
RC1-0208-030CN	Holder, paper sensing	Internal components (2 of 3)
RC1-0209-000CN	Flag, paper sensing	Internal components (2 of 3)
RC1-0211-000CN	Arm, paper pickup (LJ 4200/4300)	Internal components (2 of 3)
RC1-0212-000CN	Holder, paper pickup arm	Internal components (2 of 3)
RC1-0213-000CN	Spring, compression	Internal components (2 of 3)
RC1-0242-000CN	Guard, right-edge	Internal components (2 of 3)
RC1-0243-000CN	Guide, power-supply, front	Internal components (2 of 3)
RC1-0244-000CN	Guide, ECU, rear	Internal components (2 of 3)
RC1-0247-000CN	Guard, left-edge	Internal components (2 of 3)
RC1-0254-000CN	Spring, torsion	Internal components (2 of 3)
RC1-0264-000CN	Bushing, feed shaft	Internal components (2 of 3)
RC1-0268-000CN	Rod, switch	Internal components (2 of 3)
RC1-0269-020CN	Guide, flat cable	Internal components (1 of 3)
RC1-0270-020CN	Guide, flat cable	Internal components (1 of 3)
RC1-0271-000CN	Guide, dc controller (LJ 4200/4300)	Internal components (1 of 3)
RC1-0272-000CN	Duct, fan 2 (right side) (LJ 4300)	Internal components (3 of 3)
RC1-0273-000CN	Guide, left	Internal components (3 of 3)
RC1-0274-020CN	Guide, right	Internal components (3 of 3)
RC1-0287-020CN	Cover, left (LJ 4200/4300)	Covers

Table 8-22 Numerical parts list (continued)

Part number	Description	Table and page
RC1-0288-000CN	Cover, formatter	Covers
RC1-0289-000CN	Cover, paper-handling	Covers
RC1-0290-000CN	Cover, legal (LJ 4200/4300)	Covers
RC1-0291-000CN	Cover, duplexing (LJ 4200/4300)	Covers
RC1-0307-000CN	Spring, leaf grounding, top Cover (LJ 4250/4350 only)	Covers
RC1-0320-000CN	Cover, envelope	Internal components (3 of 3)
RC1-0330-020CN	Sheet, solenoid damper	Internal components (2 of 3)
RC1-0340-020CN	Guide, scanner cable	Internal components (2 of 3)
RC1-0341-000CN	Rod, fan 2 (LJ 4300)	Internal components (1 of 3)
RC1-0342-020CN	Holder, thermistor (plastic)	Internal components (3 of 3)
RC1-0343-020CN	Holder, thermistor (metal)	Internal components (3 of 3)
RC1-0344-020CN	Cover, fan connector	Internal components (3 of 3)
RC1-0371-000CN	Gear, 23t	Internal components (2 of 3)
RC1-0385-000CN	Guide, scanner cable	Internal components (2 of 3)
RC1-0386-000CN	Guide, connecting cable	Internal components (3 of 3)
RC1-0486-020CN	Cover, front upper, 500-sheet feeder	500-sheet feeder (2 of 2)
RC1-0487-020CN	Cover, left, 500-sheet tray	500-sheet feeder (2 of 2)
RC1-0488-020CN	Cover, right, 500-sheet tray	500-sheet feeder (2 of 2)
RC1-0500-000CN	Cover, number-display plate, 500-sheet tray	500-sheet feeder (2 of 2)
RC1-0509-000CN	Cover, legal	500-sheet feeder (2 of 2)
RC1-0661-000CN	Cover, right, 1,500-sheet feeder	1,500-sheet feeder (2 of 2)
RC1-0662-000CN	Cover, left, 1,500-sheet feeder	1,500-sheet feeder (2 of 2)
RC1-0663-000CN	Cover, rear, 1,500-sheet feeder	1,500-sheet feeder (2 of 2)
RC1-0748-000CN	Sensor, size (inside), 1,500-sheet feeder	1,500-sheet feeder (2 of 2)
RC1-1923-000CN	Spring, torsion	Internal components (2 of 3)
RC1-3280-000CN	Cover, duplexing (LJ 4250/4350)	Covers
RC1-3282-000CN	Cover, legal (LJ 4250/4350)	Covers
RC1-3303-000CN	Stop, detent	500-sheet feeder (1 of 2)
RC1-3304-000CN	Number, display, optional feeder (LJ 4250/4350)	500-sheet feeder (2 of 2)
RC1-3335-000CN	Limiter, torque	500-sheet feeder (1 of 2)
RC1-3338-000CN	Duct, fan 2 (right side) (LJ 4250/4350)	Internal components (3 of 3)
RC1-3339-000CN	Rod, fan 2 (LJ 4250/4350)	Internal components (1 of 3)
RC1-3340-000CN	Guide, dc controller (LJ 4250/4350)	Internal components (1 of 3)
RC1-3352-000CN	Arm, paper pickup (LJ 4250/4350)	Internal components (2 of 3)

Table 8-22 Numerical parts list (continued)

Part number	Description	Table and page
RC1-3356-000CN	Overlay, control panel, EN (LJ 4250/4350)	Covers
RG1-4201-000CN	Cable, interface, upper, 500-sheet feeder (LJ 4200/4300)	500-sheet feeder (2 of 2)
RG1-4202-000CN	Cable, interface, lower, 500-sheet feeder (LJ 4200/4300)	500-sheet feeder (2 of 2)
RG1-4204-000CN	Cable, size-sensor, 500-sheet feeder	500-sheet feeder (2 of 2)
RG1-4205-000CN	Cable, fuser (LJ 4200/4200L)	Internal components (3 of 3)
RG1-4209-000CN	Cable, power-supply inlet, 110-127 V (LJ 4200/4300)	Electrical components
RG1-4212-000CN	Cable, laser (LJ 4200/4300)	Internal components (2 of 3)
RG1-4213-000CN	Cable, door switch	Internal components (3 of 3)
RG1-4214-000CN	Cable, sensor, top-bin-full (LJ 4200/4300)	Internal components (2 of 3)
RG1-4215-000CN	Cable, control panel (LJ 4200/4300)	Covers
RG1-4221-000CN	Pickup-sensor cable assembly (LJ4200/4300)	Internal components (2 of 3)
RG1-4222-000CN	Connector, duplexer (LJ 4200/4300)	Electrical components
RG1-4223-000CN	Cable, feeder connector (LJ 4200/4300)	Internal components (2 of 3)
RG1-4224-000CN	Cable, envelope- feeder-connecting (LJ 4200/4300)	Internal components (2 of 3)
RG1-4230-000CN	Cable, power-supply inlet, 220-240 V (LJ 4200/4300)	Electrical components
RG1-4231-000CN	Cable, fuser (LJ 4300)	Internal components (3 of 3)
RG1-4236-040CN	Dc controller (LJ 4200)	Internal components (3 of 3)
RG1-4236-040CN	Dc controller (LJ 4200)	PCAs
RG1-4237-040CN	Dc controller (LJ 4300)	Internal components (3 of 3)
RG1-4237-040CN	Dc controller (LJ 4300)	PCAs
RG1-4239-000CN	Cable, interface, 1,500-sheet feeder	1,500-sheet feeder (2 of 2)
RG1-4240-000CN	Cable, media-size sensor, 1,500-sheet feeder	1,500-sheet feeder (2 of 2)
RG1-4241-000CN	Cable, door sensor, 1,500-sheet feeder	1,500-sheet feeder (2 of 2)
RG1-4276-020CN	Control-panel assembly (LJ 4200/4300)	Covers
RG1-4374-000CN	PCA, 1,500-sheet feeder	1,500-sheet feeder (2 of 2)
RH7-1570-000CN	Motor, main (M101), 10-pin (LJ4200/4300)	Internal components (1 of 3)
RH7-1573-000CN	Fan, left (LJ 4200/4300)	Internal components (3 of 3)
RH7-1576-020CN	Motor, print cartridge (M102), 8-pin (LJ 4300)	Internal components (1 of 3)
RH7-1577-000CN	Fan, right (LJ 4300)	Internal components (3 of 3)
RH7-1603-000CN	Motor, stepping, 1,500-sheet feeder	1,500-sheet feeder (2 of 2)
RH7-5355-000CN	Solenoid, tray 2 pickup (LJ 4200/4300)	Internal components (2 of 3)
RH7-5357-000CN	Solenoid, tray 1 pickup (LJ 4200/4300)	Tray 1 pickup assembly
RH7-5358-000CN	Clutch (CL101) (LJ 4200/4300)	Feed roller assembly
RH7-7116-000CN	Thermistor (LJ 4200/4300)	Internal components (3 of 3)

Table 8-22 Numerical parts list (continued)

Part number	Description	Table and page
RK2-0269-000CN	Solenoid, tray 2 pickup (LJ 4250/4350)	Internal components (2 of 3)
RK2-0272-000CN	Motor, main (M101), 10-pin (LJ4250/4350)	Internal components (1 of 3)
RK2-0274-000CN	Motor, print cartridge (M102), 8-pin (LJ 4250/4350)	Internal components (1 of 3)
RK2-0276-000CN	Solenoid, tray 1 pickup (LJ 4250/4350)	Tray 1 pickup assembly
RK2-0278-000CN	Fan, left (LJ 4250/4350)	Internal components (3 of 3)
RK2-0280-000CN	Fan, right (LJ 4250/4350)	Internal components (3 of 3)
RK2-0288-000CN	Cable, flat (J81-J51) (LJ 4250/4350)	Electrical components
RK2-0290-000CN	Cable, flat (J80-J50) (LJ 4250/4350)	Electrical components
RK2-0349-000CN	Clutch (CL101) (LJ 4250/4350)	Feed roller assembly
RK2-0359-000CN	Thermistor (LJ 4250/4350)	Internal components (3 of 3)
RL1-0007-000CN	Separation pad	Tray 1 pickup assembly
RL1-0013-000CN	Plate, swing	Internal components (2 of 3)
RL1-0015-000CN	Kicker assembly	Internal components (2 of 3)
RL1-0019-000CN	Roller, pickup	Tray 1 pickup assembly
RL1-0264-000CN	Shaft, retard drive	Internal components (2 of 3)
RM1-0001-030CN	Main drive assembly (LJ 4200/4300) (also see Figure 8-10 Main drive assembly)	Internal components (1 of 3)
RM1-0001-030CN	Main drive assembly (LJ 4200/4300)	Main drive assembly
RM1-0002-020CN	Duplexing-pendulum assembly	Internal components (3 of 3)
RM1-0004-060CN	Tray 1 pickup assembly (LJ 4200/4300) (also see Figure 8-12 Tray 1 pickup assembly)	Internal components (3 of 3)
RM1-0004-060CN	Tray 1 pickup assembly (LJ 4200/4300)	Tray 1 pickup assembly
RM1-0005-020CN	Tray 1	Tray 1 pickup assembly
RM1-0011-060CN	Registration assembly	Internal components (1 of 3)
RM1-0012-020CN	Feed roller assembly (also see Figure 8-11 Feed roller assembly)	Internal components (1 of 3)
RM1-0012-020CN	Feed-roller assembly	Feed roller assembly
RM1-0013-140CN	Fuser, 110-127 V (LJ 4200)	Internal components (3 of 3)
RM1-0014-140CN	Fuser, 220-240 V (LJ 4200)	Internal components (3 of 3)
RM1-0019-050CN	Power-supply assembly, 110-127 V (LJ 4200) (also see Figure 8-9 Electrical components)	Internal components (1 of 3)
RM1-0019-050CN	Power-supply assembly, 110-127 V (LJ 4200)	Electrical components
RM1-0020-000CN	Power-supply assembly, 220-240 V (LJ 4200) (also see Figure 8-9 Electrical components)	Internal components (1 of 3)
RM1-0020-000CN	Power-supply assembly, 220-240 V (LJ 4200)	Electrical components
RM1-0025-040CN	Feed assembly	Electrical components
RM1-0026-040CN	Paper-delivery assembly	Internal components (3 of 3)

Table 8-22 Numerical parts list (continued)

Part number	Description	Table and page
RM1-0027-020CN	Cover, rear output bin	Covers
RM1-0028-060CN	500-sheet universal replacement tray (LJ 4200/4300)	500-sheet feeder (1 of 2)
RM1-0033-020CN	Lifter-drive assembly (LJ 4200/4300)	Internal components (3 of 3)
RM1-0034-040CN	Pickup drive assembly	Internal components (2 of 3)
RM1-0036-000CN	Roller, paper-pickup	Internal components (2 of 3)
RM1-0037-020CN	Roller, paper-feed	Internal components (2 of 3)
RM1-0041-000CN	Media-size sensor assembly, 500-sheet feeder	500-sheet feeder (2 of 2)
RM1-0041-020CN	Size-sensing assembly, tray 2	Internal components (2 of 3)
RM1-0042-000CN	Cable, accessory interface	Internal components (2 of 3)
RM1-0043-020CN	Swing plate assembly	Internal components (2 of 3)
RM1-0045-000CN	Laser/scanner assembly (LJ 4200)	Internal components (2 of 3)
RM1-0046-000CN	Cover assembly, right (LJ 4200/4300)	Covers
RM1-0047-020CN	Cover, cartridge door (LJ 4200)	Covers
RM1-0049-000CN	Cover assembly, top(LJ 4200/4300)	Covers
RM1-0050-030CN	Cover assembly, front	Covers
RM1-0056-000CN	Paper-pickup-drive assembly, 500-sheet feeder	500-sheet feeder (1 of 2)
RM1-0101-200CN	Fuser, 110-127 V (LJ 4300)	Internal components (3 of 3)
RM1-0102-200CN	Fuser, 220-240 V (LJ 4300)	Internal components (3 of 3)
RM1-0107-000CN	Power-supply assembly, 110-127 V (LJ 4300) (also see Figure 8-9 Electrical components)	Internal components (1 of 3)
RM1-0107-000CN	Power-supply assembly, 110-127 V (LJ 4300)	Electrical components
RM1-0108-000CN	Power-supply assembly, 220-240 V (LJ 4300) (also see Figure 8-9 Electrical components)	Internal components (1 of 3)
RM1-0108-000CN	Power-supply assembly, 220-240 V (LJ 4300)	Electrical components
RM1-0113-000CN	Laser/scanner assembly (LJ 4300)	Internal components (2 of 3)
RM1-0114-020CN	Cover, cartridge door (LJ 4300)	Covers
RM1-0237-000CN	Cover, rear assembly, stacker	Stapler/stacker, stacker, and stapler
RM1-0248-000CN	Output bin (fits stapler, stapler/stacker, or stacker)	Stapler/stacker, stacker, and stapler
RM1-0273-070CN	Cover assembly, front, 1,500-sheet feeder	1,500-sheet feeder (1 of 2)
RM1-0273-070CN	Cover assembly, front, 1,500-sheet feeder	1,500-sheet feeder (2 of 2)
RM1-0286-000CN	Sensor gear assembly, 1,500-sheet feeder	1,500-sheet feeder (2 of 2)
RM1-0294-000CN	Sensor, size (outside), 1,500-sheet feeder	1,500-sheet feeder (2 of 2)
RM1-0699-020CN	Transfer roller, LJ 4200/4300	Internal components (1 of 3)

Table 8-22 Numerical parts list (continued)

Part number	Description	Table and page
RM1-1066-000CN	Main drive assembly (LJ 4250/4350) (also see Figure 8-10 Main drive assembly)	Internal components (1 of 3)
RM1-1066-000CN	Main drive assembly (LJ 4250/4350)	Main drive assembly
RM1-1067-000CN	Laser/scanner assembly (LJ 4250/4350)	Internal components (2 of 3)
RM1-1070-000CN	Power-supply assembly, 110-127 V (LJ 4250/4350) (also see Figure 8-9 Electrical components)	Internal components (1 of 3)
RM1-1070-000CN	Power-supply assembly, 110-127 V (LJ 4250/4350)	Electrical components
RM1-1071-000CN	Power-supply assembly, 220-240 V (LJ 4250/4350) (also see Figure 8-9 Electrical components)	Internal components (1 of 3)
RM1-1071-000CN	Power-supply assembly, 220-240 V (LJ 4250/4350)	Electrical components
RM1-1074-000CN	Lifter-drive assembly (LJ 4250/4350)	Internal components (3 of 3)
RM1-1076-000CN	Cover assembly, right (LJ 4250/4350)	Covers
RM1-1077-000CN	Cover, left (LJ 4250/4350)	Covers
RM1-1080-000CN	Cover, cartridge door (LJ 4250/4350)	Covers
RM1-1081-000CN	Cover assembly, top (LJ 4250/4350)	Covers
RM1-1082-000CN	Fuser, 110-127 V (LJ 4250/4350)	Internal components (3 of 3)
RM1-1083-000CN	Fuser, 220-240 V (LJ 4250/4350)	Internal components (3 of 3)
RM1-1088-000CN	500-sheet universal replacement tray (LJ 4250/4350)	500-sheet feeder (1 of 2)
RM1-1094-000CN	Lifter-drive assembly, 500-sheet feeder	500-sheet feeder (1 of 2)
RM1-1097-000CN	Tray 1 pickup assembly (LJ 4250/4350) (also see Figure 8-12 Tray 1 pickup assembly)	Internal components (3 of 3)
RM1-1097-000CN	Tray 1 pickup assembly (LJ 4250/4350)	Tray 1 pickup assembly
RM1-1108-000CN	Dc controller (LJ 4250/4350)	Internal components (3 of 3)
RM1-1108-000CN	Dc controller (LJ 4250/4350)	PCAs
RM1-1110-000CN	Transfer roller, LJ 4250/4350	Internal components (1 of 3)
RM1-1122-000CN	PCA, 500-sheet feeder	500-sheet feeder (2 of 2)
RM1-1133-000CN	Pickup drive assembly, 1,500-sheet feeder	1,500-sheet feeder (1 of 2)
RM1-1134-000CN	Paper-pickup assembly, 1,500-sheet feeder	1,500-sheet feeder (1 of 2)
RM1-1135-000CN	Sensor assembly	1,500-sheet feeder (2 of 2)
RM1-1136-000CN	Lifter-drive assembly, 1,500-sheet feeder	1,500-sheet feeder (1 of 2)
RM1-1164-000CN	Stapler unit only	Stapler/stacker, stacker, and stapler
RM1-1181-000CN	Pickup-sensor cable assembly (LJ4250/4350)	Internal components (2 of 3)
RM1-1189-000CN	Cable, sensor, top-bin-full (LJ 4250/4350)	Internal components (2 of 3)
RM1-1190-000CN	Cable, control panel (LJ 4250/4350)	Covers
RM1-1192-000CN	Cable, feeder connector (LJ 4250/4350)	Internal components (2 of 3)

Table 8-22 Numerical parts list (continued)

Part number	Description	Table and page
RM1-1193-000CN	Cable, envelope-feeder-connecting (LJ 4250/4350)	Internal components (2 of 3)
RM1-1195-000CN	Control-panel assembly (LJ 4250/4350)	Covers
RM1-1198-000CN	Cable, laser (LJ 4250/4350)	Internal components (2 of 3)
RM1-1216-000CN	Cable, fuser (LJ 4250/4350)	Internal components (3 of 3)
RM1-1218-000CN	Cable, power-supply inlet, 110-127 V (LJ 4250/4350)	Electrical components
RM1-1219-000CN	Cable, power-supply inlet, 220-240 V (LJ 4250/4350)	Electrical components
RM1-1236-000CN	Cable, interface, upper, 500-sheet feeder (LJ 4250/4350)	500-sheet feeder (2 of 2)
RM1-1237-000CN	Cable, interface, lower, 500-sheet feeder (LJ 4250/4350)	500-sheet feeder (2 of 2)
RM1-1238-000CN	Cable, sensor assembly, 500-sheet feeder	500-sheet feeder (2 of 2)
RU5-0015-000CN	Gear, 14t/30t	Internal components (1 of 3)
RU5-0040-000CN	Gear, 23t	Internal components (2 of 3)
RU5-0045-020CN	Gear, 18t	Internal components (2 of 3)
RU5-0050-000CN	Gear, 30t	Feed roller assembly
RU5-0088-000CN	Gear, 18T, 500-sheet feeder	500-sheet feeder (2 of 2)
VS1-7333-006CN	Connector, duplexer (LJ 4250/4350)	Electrical components
VS1-7334-006CN	Connector, 6-point, 1,500-sheet feeder	1,500-sheet feeder (2 of 2)
WC4-5139-000CN	Microswitch, top cover	Internal components (3 of 3)
WG8-5362-000CN	Sensor, top-bin-full/stack (PS 104/PS 107), LJ 4200/4300	Internal components (2 of 3)
WG8-5362-000CN	Sensor, top-bin-full (PS104) (LJ 4200/4300)	Internal components (2 of 3)
WG8-5624-000CN	Sensor, stack (PS 107), LJ 4250/4350	Internal components (2 of 3)
WG8-5624-000CN	Sensor, stack (PS104) (LJ 4250/4350)	Internal components (2 of 3)
XA9-1420-000CN	Screw, w/washer, m3x8	Electrical components
XA9-1420-010CN	Screw, w/washer, M3X8	1,500-sheet feeder (2 of 2)
XA9-1500-000CN	Screw, s, m3x8	Internal components (1 of 3)
XA9-1500-000CN	Screw, s, m3x8	Internal components (2 of 3)
XA9-1500-000CN	Screw, s, m3x8	Internal components (3 of 3)
XA9-1500-000CN	Screw, s, m3x8	Electrical components
XA9-1503-000CN	Screw, tapping, m3x6	Internal components (1 of 3)
XA9-1503-000CN	Screw, tapping, m3x6	Internal components (2 of 3)
XA9-1523-010CN	Screw, B, M4X8	1,500-sheet feeder (2 of 2)
XA9-1559-000CN	Screw, rs, m3x10	Internal components (2 of 3)
XA9-1559-000CN	Screw, rs, m3x10	Internal components (3 of 3)
XB2-7300-607CN	Screw, w/washer, m3x6	Internal components (1 of 3)
XB2-7400-606CN	Screw, w/washer, m4x6	Electrical components

Table 8-22 Numerical parts list (continued)

Part number	Description	Table and page
XB4-7300-809CN	Screw, tapping, truss head, m3x8	Internal components (2 of 3)
XB4-7400-809CN	Screw, tapping, truss head, m4x8	Internal components (2 of 3)
XB4-7401-007CN	Screw, tapping, pan head, m4x10	Covers
XB4-7401-007CN	Screw, tapping, pan head, m4x10	Internal components (1 of 3)
XB4-7401-007CN	Screw, tapping, pan head, m4x10	Internal components (2 of 3)
XB4-7401-007CN	Screw, tapping, pan head, m4x10	Internal components (3 of 3)
XB4-7401-605CN	Screw, tapping, truss head, m4x16	Internal components (3 of 3)
XD9-0137-000CN	E-ring (LJ4200/4300)	Feed roller assembly
XD9-0232-000CN	E-ring	Internal components (1 of 3)
XD9-0232-000CN	E-ring	Internal components (2 of 3)
XD9-0234-010CN	E-ring (LJ4250/4350)	Feed roller assembly

